

# SERVICE MANUAL

Models	Indoor unit	Outdoor unit
	ASY12RMACW	AOY20RMAM2
	ASY7RMACW	
	AUY12RMA	AOY20RMAM2
	ASY7RMACW	
	ASY12RMACW	AOY24RMAM2
	ASY12RMACW	
	AUY12RMA	AOY24RMAM2
	AUY12RMA	

## CONTENTS

SPECIFICATIONS . . . . .	1
OUTLINE AND DIMENSIONS . . . . .	4
REFRIGERANT SYSTEM DIAGRAM . . . . .	6
CIRCUIT DIAGRAM . . . . .	7
DISASSEMBLY ILLUSTRATION . . . . .	19
PARTS LIST . . . . .	31

FUJITSU GENERAL LIMITED



Большая библиотека технической документации

<https://splitsystema48.ru/instrukcii-po-ekspluatácii-kondicionerov.html>

каталоги, инструкции, сервисные мануалы, схемы.

# S P E C I F I C A T I O N S

TYPE	COOL & HEAT		
INDOOR UNIT	ASY12RMACW	ASY7RMACW	UNIT A & UNIT B
OUTDOOR UNIT	AOY20RMAM2		
OPERATION	UNIT A	UNIT B	2 UNITS
COOLING CAPACITY (kW)	3.45 - 3.45	2.25 - 2.25	5.70 - 5.70
HEATING CAPACITY (kW)	4.10 - 4.10	2.80 - 2.80	6.90 - 6.90

## ELECTRICAL DATA

POWER SOURCE (V)	220 - 240			
FREQUENCY (Hz)	50			
RUNNING CURRENT (A)	COOLING	6.30 - 6.40	4.60 - 4.60	10.6 - 10.8
	HEATING	6.70 - 6.80	5.30 - 5.30	11.1 - 11.3
INPUT WATTS (kW)	COOLING	1.36 - 1.44	0.98 - 1.04	2.28 - 2.42
	HEATING	1.44 - 1.54	1.12 - 1.18	2.38 - 2.52
EER (kW/kW)	COOLING	2.54 - 2.40	2.30 - 2.16	2.50 - 2.36
	HEATING	2.85 - 2.66	2.50 - 2.37	2.90 - 2.74
MOISTURE REMOVAL (ℓ/hr)	1.6	1.0	2.6	
AIR CIRCULATION-Hi (m <sup>3</sup> /hr)	495	380	3,000 (Outdoor unit)	

## COMPRESSOR

TYPE	Hermetic type, Permanent split condenser, 2 pole, Single phase, Induction motor		
CODE	[RH247VHAT] 220 - 240V 50Hz	[RH167VHAT] 220 - 240V 50Hz	_____
REFRIGERANT R-22 (g)	1,100 x 2		

## FAN MOTOR

POWER SOURCE (V)	220 - 240			
INDOOR UNIT COOL (HEAT)	HI-SPEED (r.p.m.)	1,330(1,330)	1,330(1,330)	_____
	MED-SPEED (r.p.m.)	1,260(1,180)	1,260(1,180)	_____
	LO-SPEED (r.p.m.)	1,190(1,030)	1,190(1,030)	_____
	QUIET (r.p.m.)	1,100(970)	1,100(970)	_____
OUTDOOR UNIT	HI-SPEED (r.p.m.)	720		
	LO-SPEED (r.p.m.)	450		

## DIMENSIONS

INDOOR UNIT	H x W x D (mm)	260 x 815 x 168
OUTDOOR UNIT		700 x 900 x 350

## WEIGHTS

INDOOR UNIT	GROSS / NET (kg)	10 / 8
OUTDOOR UNIT		85 / 73

TYPE	COOL & HEAT		
INDOOR UNIT	AUY12RMA	ASY7RMACW	UNIT A & UNIT B
OUTDOOR UNIT	AOY20RMAM2		
OPERATION	UNIT A	UNIT B	2 UNITS
COOLING CAPACITY (kW)	3.50 - 3.50	2.25 - 2.25	5.75 - 5.75
HEATING CAPACITY (kW)	4.10 - 4.10	2.80 - 2.80	6.90 - 6.90

#### ELECTRICAL DATA

POWER SOURCE (V)	220 - 240			
FREQUENCY (Hz)	50			
RUNNING CURRENT (A)	COOLING	6.70 - 6.80	4.60 - 4.60	10.7 - 10.9
	HEATING	7.00 - 7.10	5.30 - 5.30	11.2 - 11.4
INPUT WATTS (kW)	COOLING	1.46 - 1.54	0.98 - 1.04	2.32 - 2.46
	HEATING	1.53 - 1.61	1.12 - 1.18	2.42 - 2.56
EER (kW/kW)	COOLING	2.40 - 2.27	2.30 - 2.16	2.48 - 2.34
	HEATING	2.68 - 2.55	2.50 - 2.37	2.85 - 2.70
MOISTURE REMOVAL (l/hr)	1.5	1.0	2.5	
AIR CIRCULATION-Hi (m <sup>3</sup> /hr)	550	380	3,000 (outdoor unit)	

#### COMPRESSOR

TYPE	Hermetic type, Permanent split condenser, 2 pole, Single phase, Induction motor		
CODE	[RH247VHAT] 220 - 240V 50Hz	[RH167VHAT] 220 - 240V 50Hz	_____
REFRIGERANT R-22 (g)	1,100 x 2		

#### FAN MOTOR

POWER SOURCE (V)	220 - 240			
INDOOR UNIT COOL (HEAT)	HI-SPEED (r.p.m.)	740(740)	1,330(1,330)	_____
	MED-SPEED (r.p.m.)	660(660)	1,260(1,180)	_____
	LO-SPEED (r.p.m.)	580(580)	1,190(1,030)	_____
	QUIET (r.p.m.)	_____	1,100(970)	_____
OUTDOOR UNIT	HI-SPEED (r.p.m.)	720		_____
	LO-SPEED (r.p.m.)	450		_____

#### DIMENSIONS

INDOOR UNIT	H x W x D (mm)	235 x 580 x 580 + 70	260 x 815 x 168	_____
GRILLE		35 x 650 x 650	_____	_____
OUTDOOR UNIT		700 x 900 x 350		

#### WEIGHTS

INDOOR UNIT	GROSS / NET (kg)	23 / 18	10 / 8	_____
GRILLE		4.3 / 2.2	_____	_____
OUTDOOR UNIT		85 / 73		

TYPE	COOL & HEAT			
INDOOR UNIT	ASY12RMACW		AUY12RMA	
OUTDOOR UNIT	AOY24RMAM2			
OPERATION	1 UNIT	2 UNITS	1 UNIT	2 UNITS
COOLING CAPACITY (kW)	3.50 - 3.55	6.90 - 7.00	3.55 - 3.60	7.00 - 7.20
HEATING CAPACITY (kW)	4.20 - 4.20	8.20 - 8.20	4.20 - 4.20	8.20 - 8.20

#### ELECTRICAL DATA

POWER SOURCE (V)	220 - 240				
FREQUENCY (Hz)	50				
RUNNING CURRENT (A)	COOLING	6.40 - 6.40	13.0 - 13.0	6.60 - 6.80	13.3 - 13.3
	HEATING	7.00 - 7.00	12.9 - 13.3	7.00 - 7.00	12.7 - 13.0
INPUT WATTS (kW)	COOLING	1.37 - 1.44	2.80 - 2.93	1.40 - 1.47	2.86 - 2.99
	HEATING	1.50 - 1.58	2.78 - 2.97	1.50 - 1.58	2.73 - 2.92
EER (kW/kW)	COOLING	2.55 - 2.47	2.46 - 2.39	2.54 - 2.45	2.44 - 2.41
	HEATING	2.80 - 2.66	2.95 - 2.76	2.80 - 2.66	3.00 - 2.81
MOISTURE REMOVAL (l/hr)	1.6	16 x 2	1.5	1.5 x 2	
AIR CIRCULATION-Hi (m <sup>3</sup> /hr)	495	495 x 2	550	550 x 2	

#### COMPRESSOR

TYPE	Hermetic type, Permanent split condenser, 2 pole, Single phase, Induction motor	
CODE	RH247VHAT x 2 220 - 240 V 50Hz	
REFRIGERANT R-22 (g)	1,050 x 2	

#### FAN MOTOR

POWER SOURCE (V)	220 - 240		
INDOOR UNIT COOL (HEAT)	HI-SPEED (r.p.m.)	1,330(1,330)	740(740)
	MED-SPEED (r.p.m.)	1,260(1,180)	660(660)
	LO-SPEED (r.p.m.)	1,190(1,030)	580(580)
	QUIET (r.p.m.)	1,100(970)	————
OUTDOOR UNIT	HI-SPEED (r.p.m.)	750	
	LO-SPEED (r.p.m.)	470	

#### DIMENSIONS

INDOOR UNIT		260 x 815 x 168	235 x 580 x 580 + 70
GRILLE	H x W x D (mm)	————	35 x 650 x 650
OUTDOOR UNIT		700 x 900 x 350	

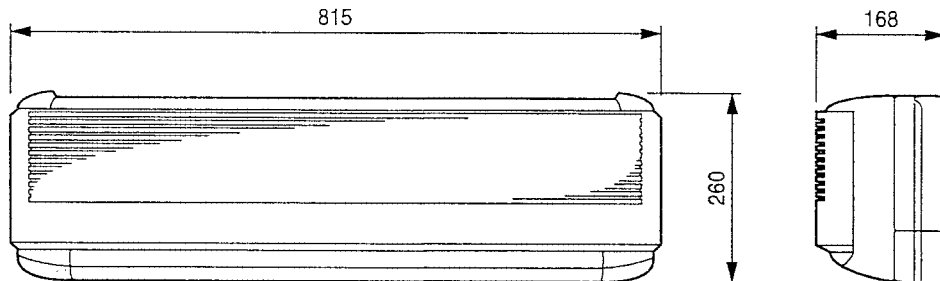
#### WEIGHTS

INDOOR UNIT		10 / 8	23 / 18
GRILLE	GROSS / NET (kg)	————	4.3 / 2.2
OUTDOOR UNIT		85 / 74	

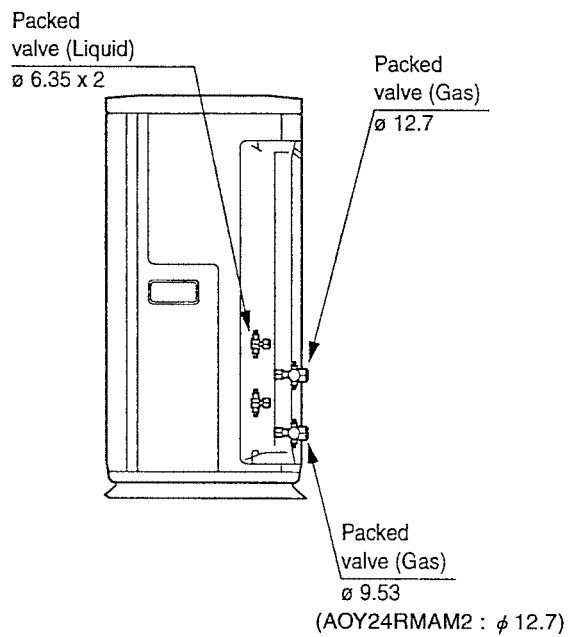
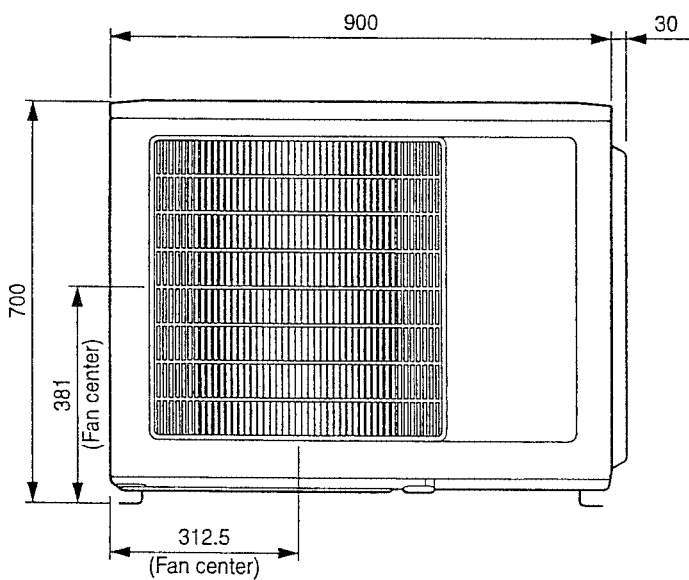
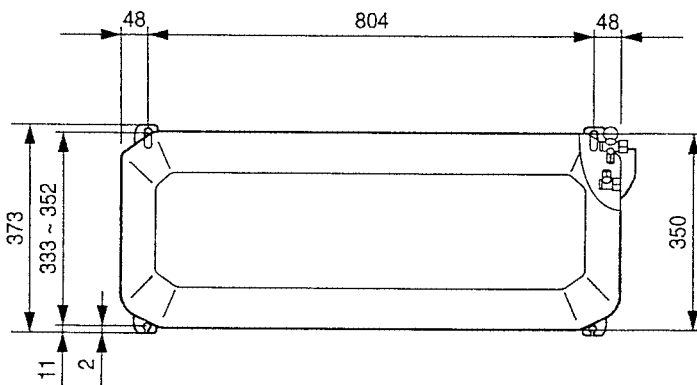
# OUTLINE AND DIMENSIONS

INDOOR UNIT (WALL MOUNTED type)

(Unit : mm)

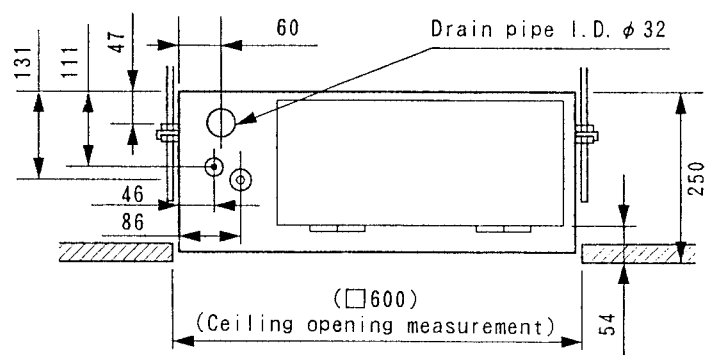
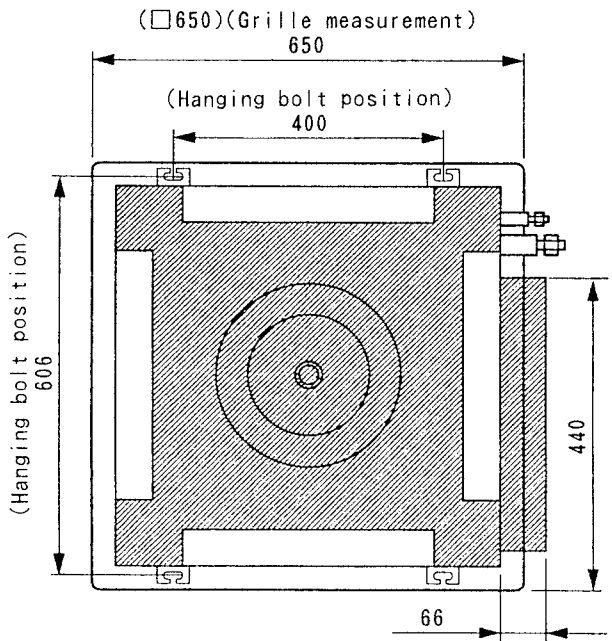
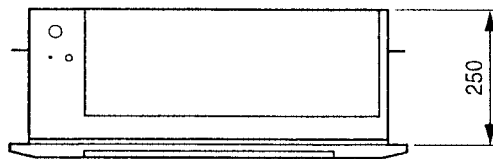
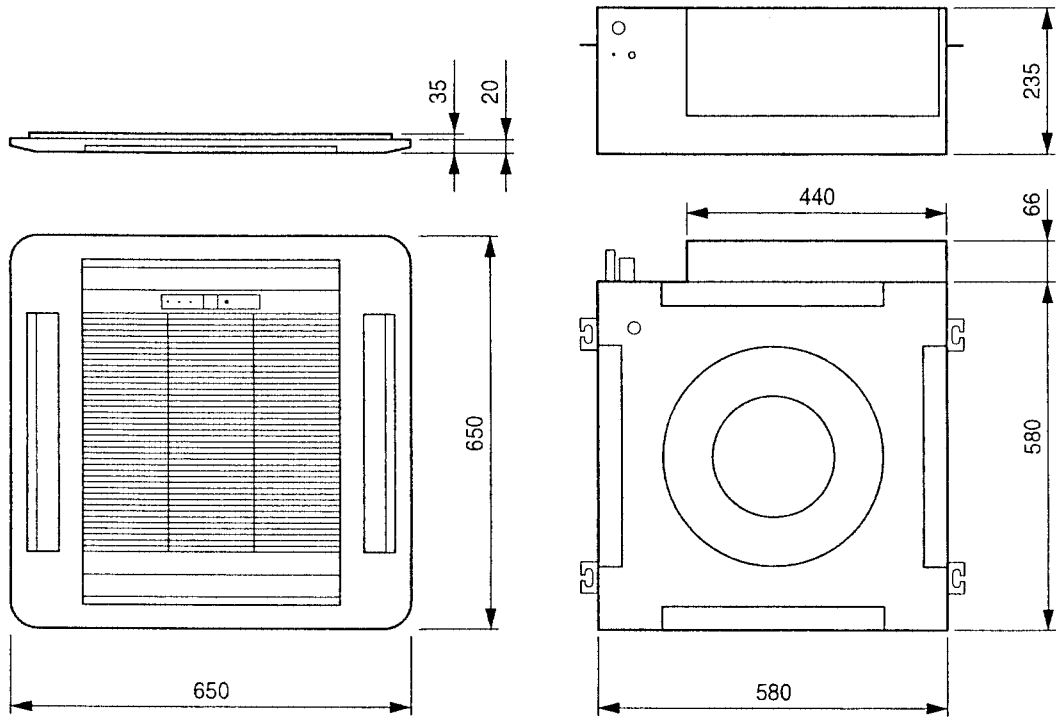


OUTDOOR UNIT (AOY20RMAM2, Aoy24RMAM2)



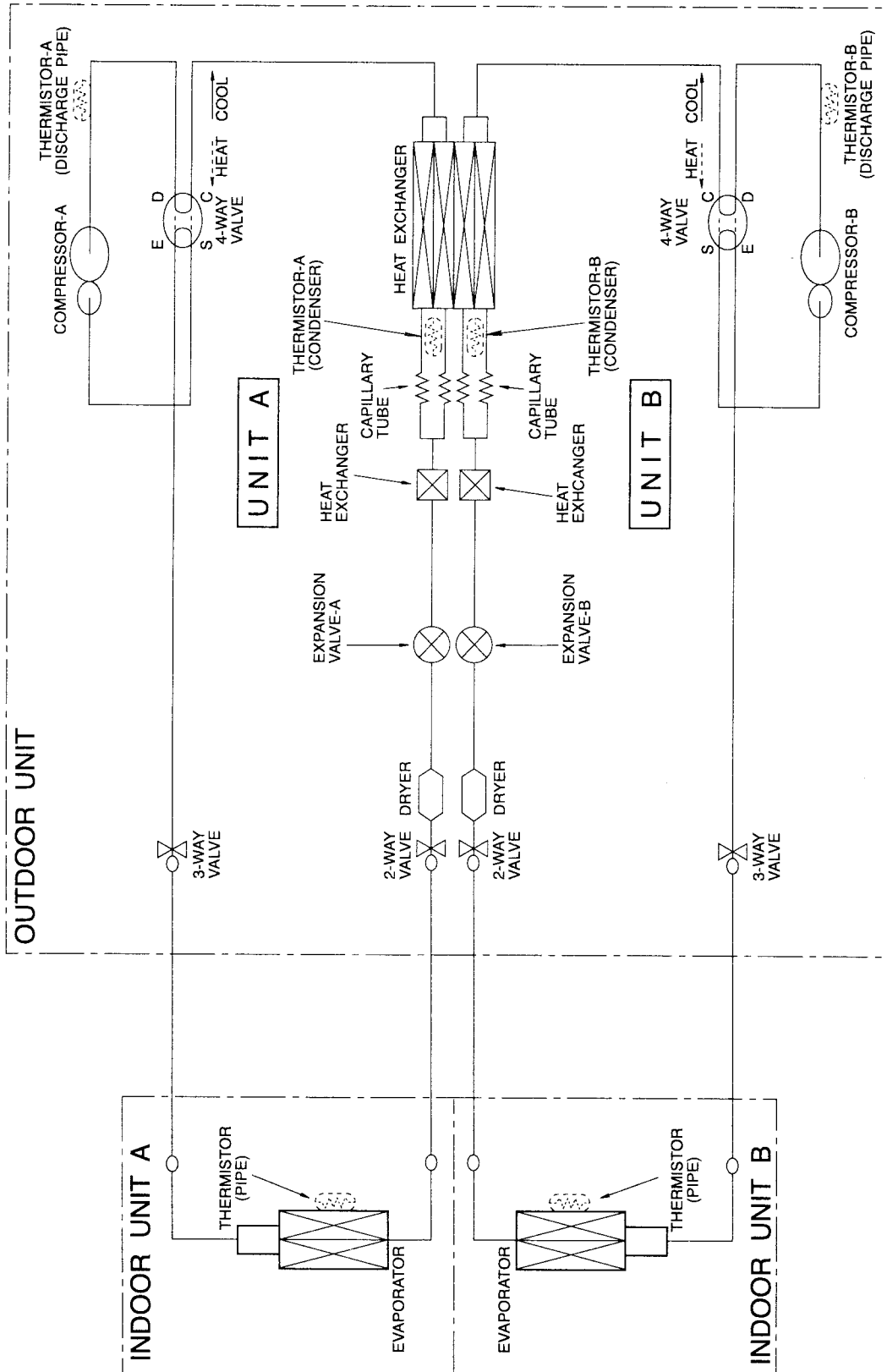
INDOOR UNIT (CASSETTE type)

(Unit : mm)



# REFRIGERANT SYSTEM DIAGRAM

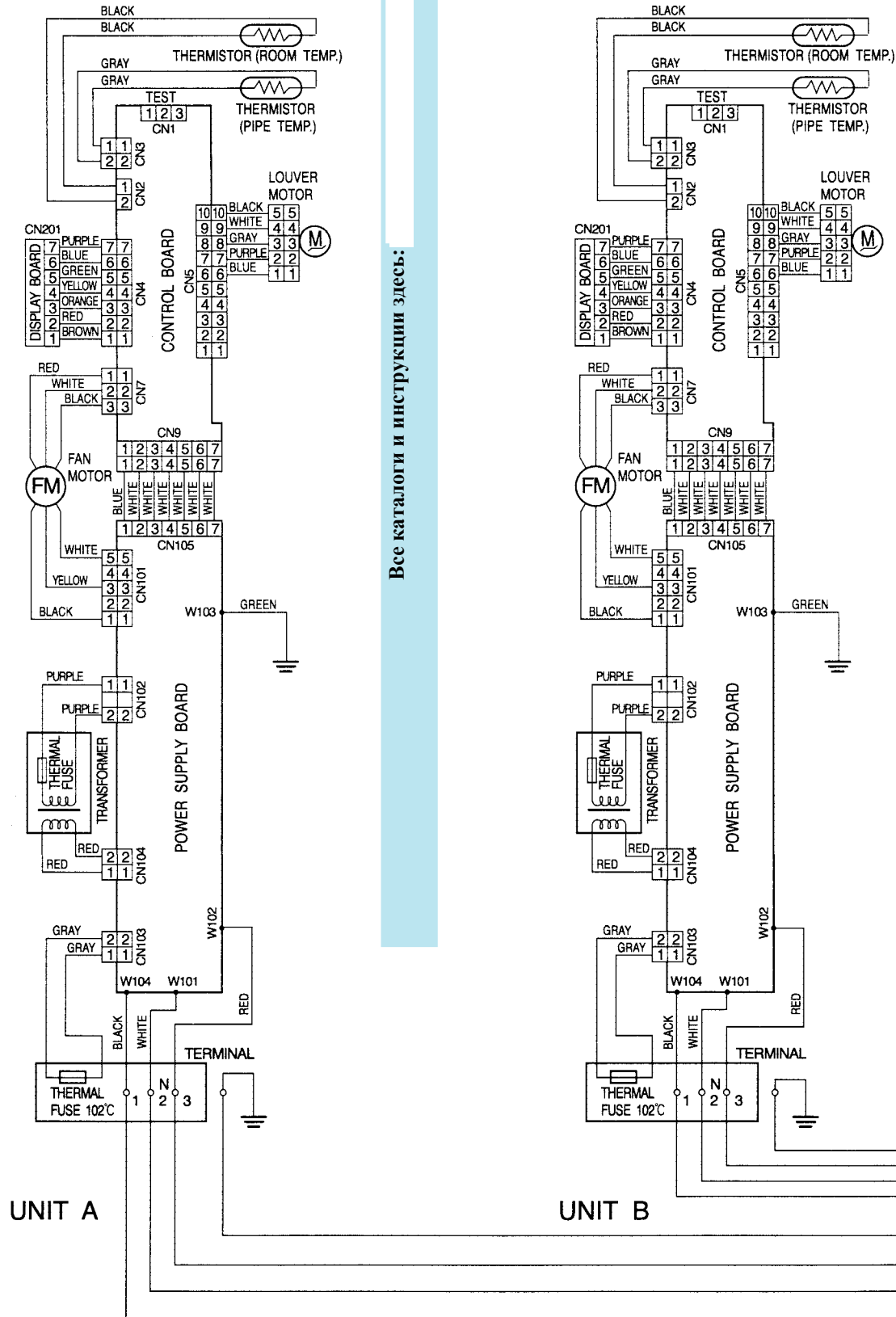
Models : ASY12RMACW / AOY20RMAM2  
 ASY7RMACW / AOY20RMAM2  
 AUY12RMA / AOY20RMAM2  
 ASY7RMACW / AOY20RMAM2  
 ASY12RMACW x 2 / AOY24RMAM2  
 AUY12RMA x 2 / AOY24RMAM2



# CIRCUIT DIAGRAM

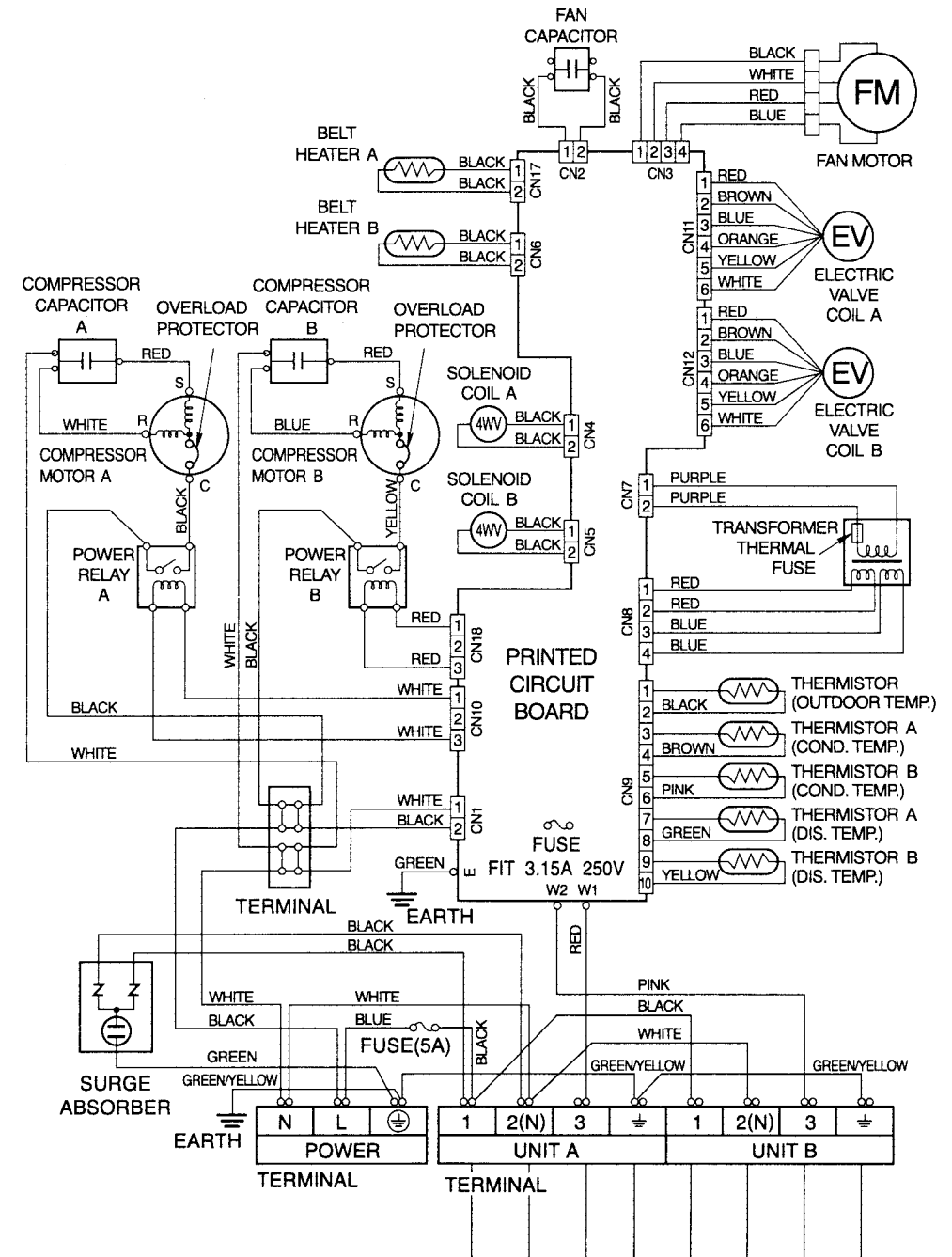
Models : ASY12RMACW / AOY20R  
 ASY7RMACW / AOY20R  
 ASY12RMACW x 2 / AOY20R AM2

## INDOOR UNIT



Все каталоги и инструкции здесь:

## OUTDOOR UNIT

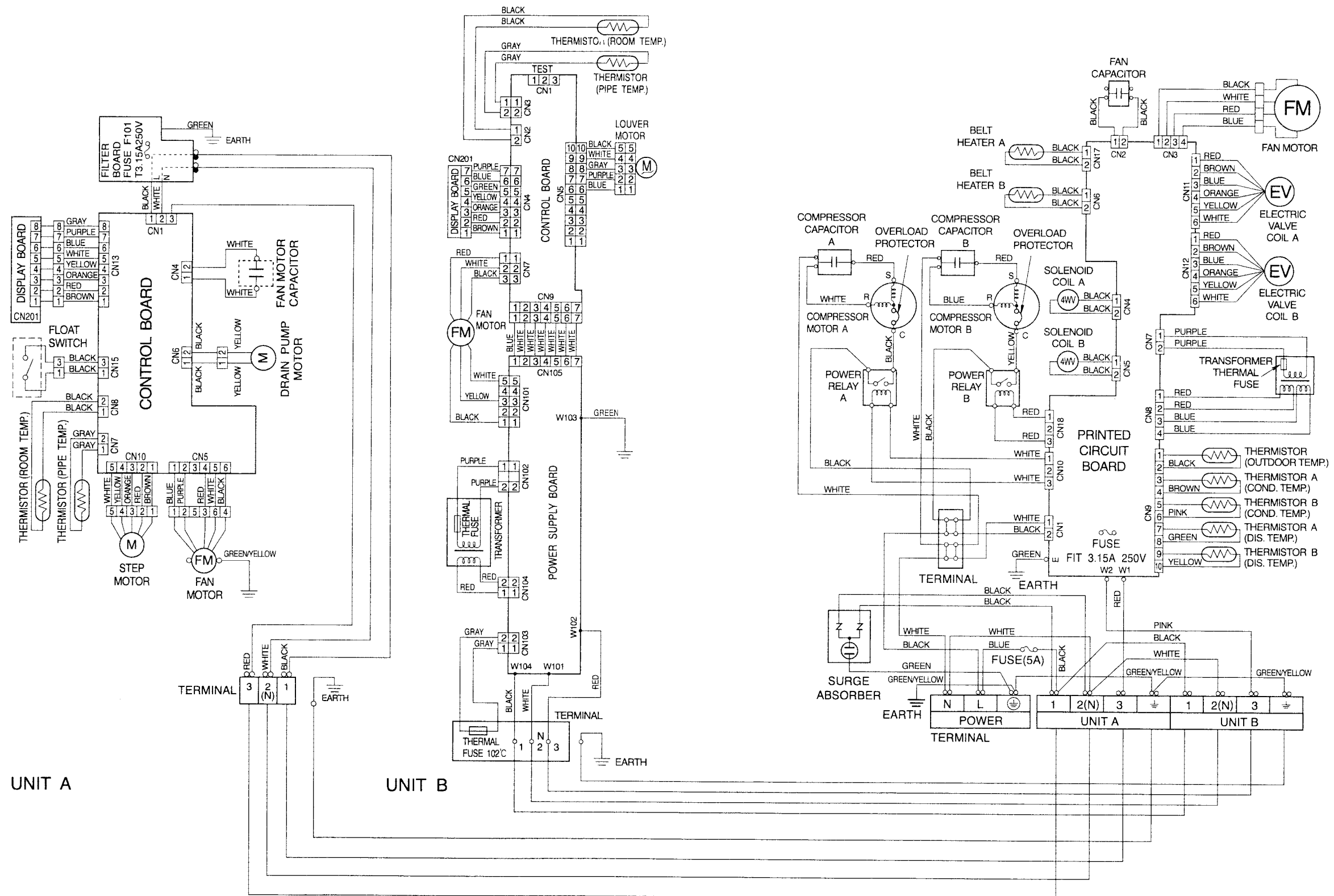




Models : AUY12RMA / ASY7RMACW / AOY20RMAM2

### INDOOR UNIT

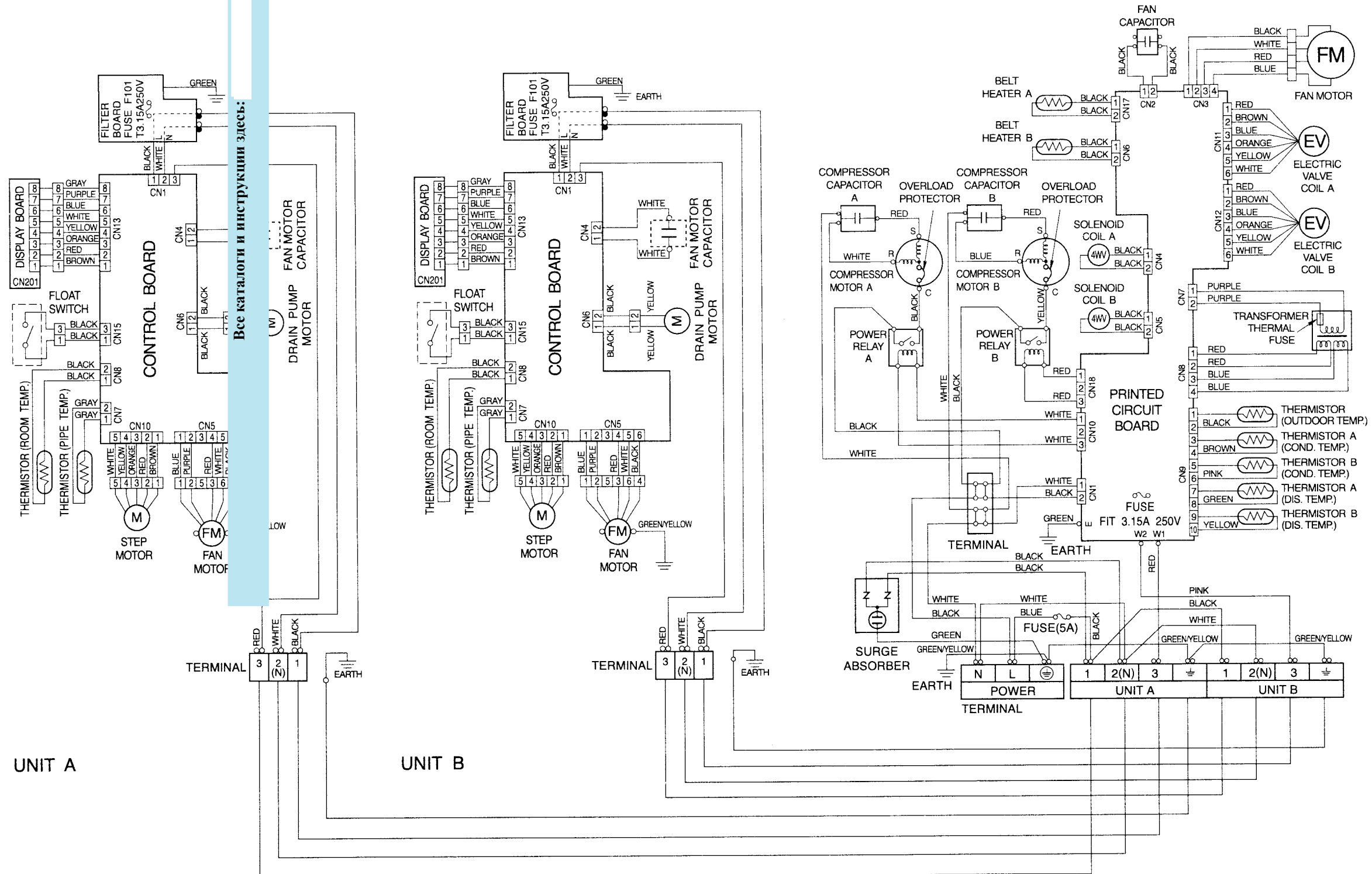
### OUTDOOR UNIT



<https://>

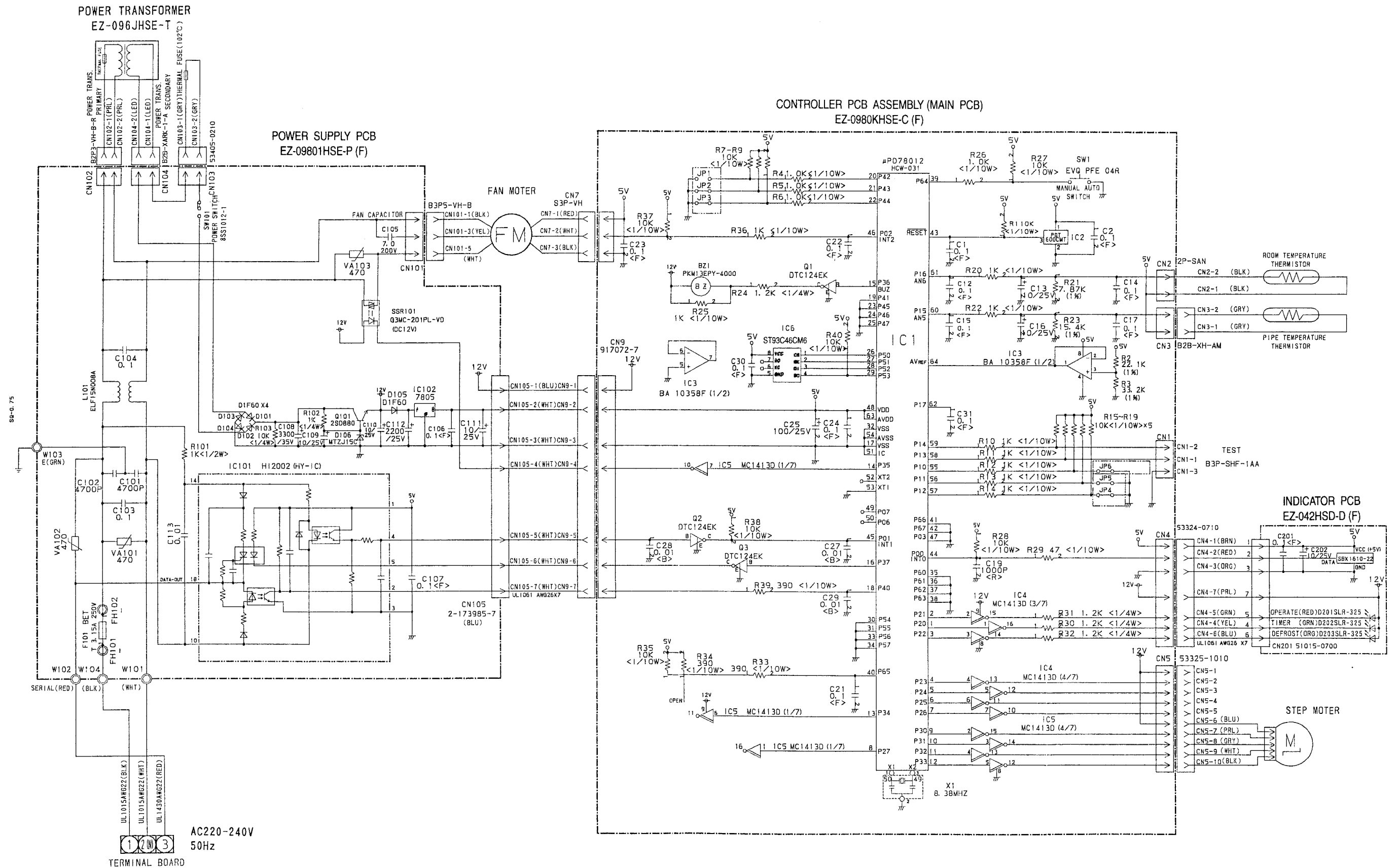
### INDOOR UNIT

### OUTDOOR UNIT

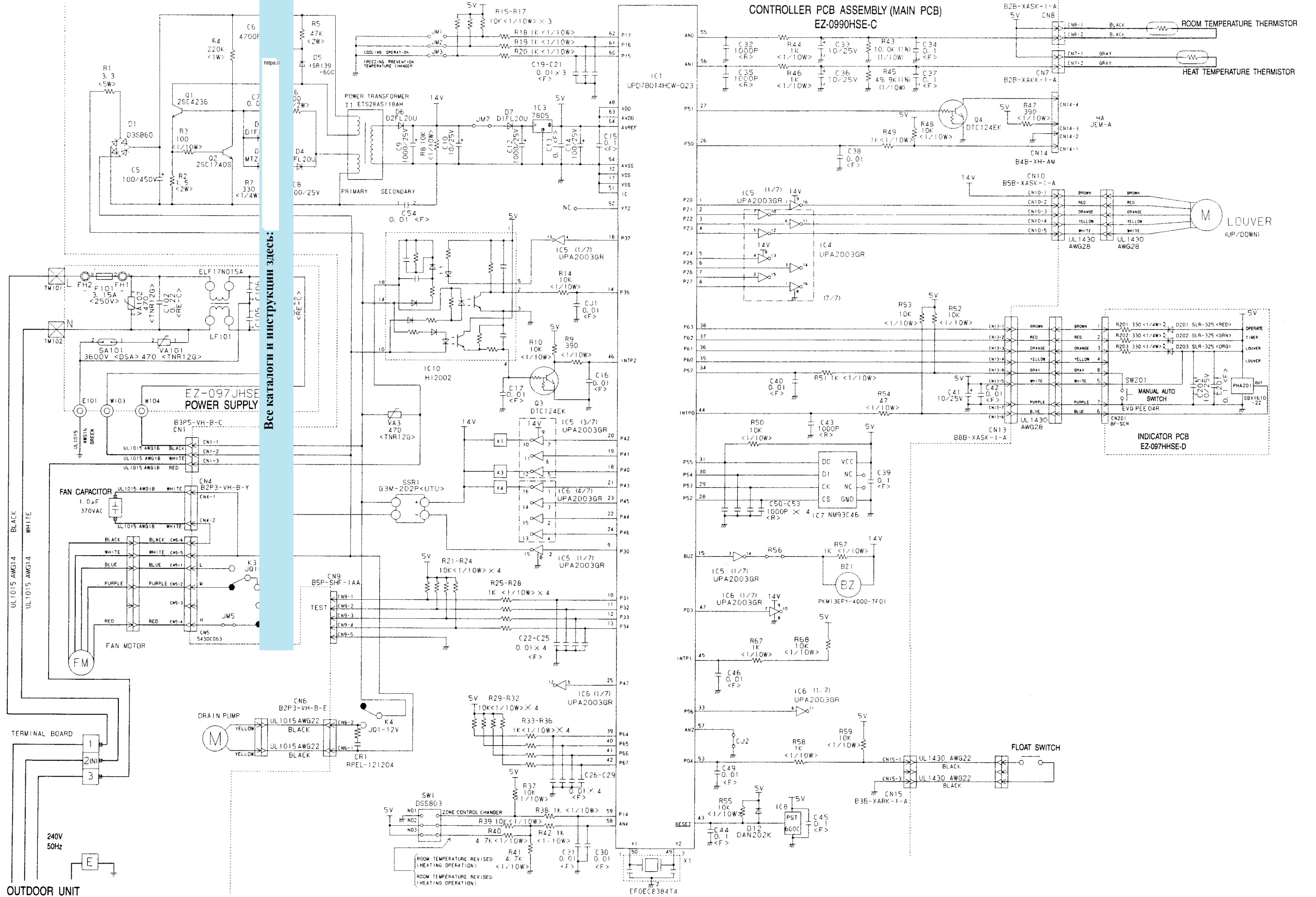


# INDOOR PRINTED CIRCUIT BOARD CIRCUIT DIAGRAM

Models : ASY12RMACW  
ASY7RMACW



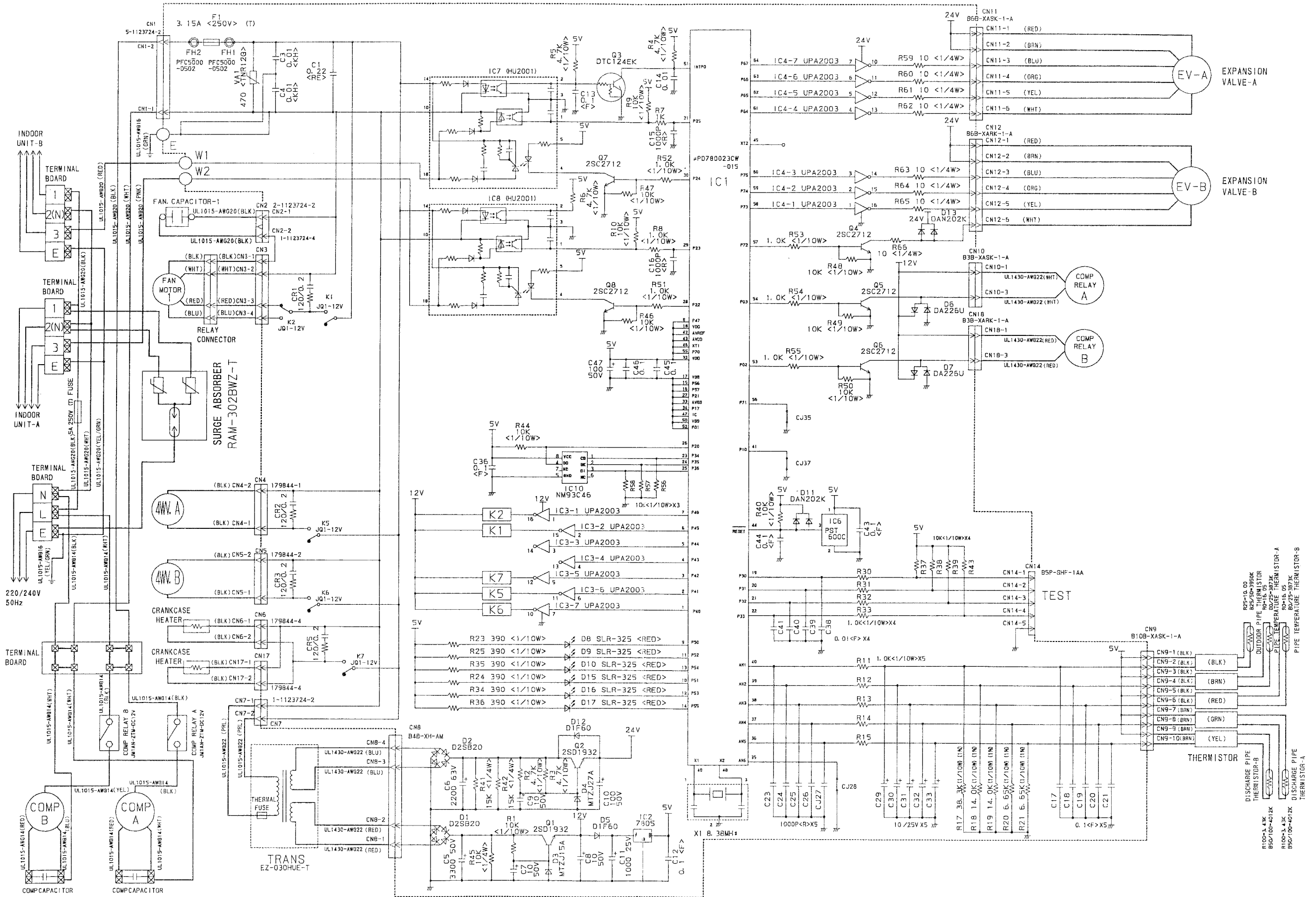
Model : AU12RMA



Все каталоги и инструкции здесь:

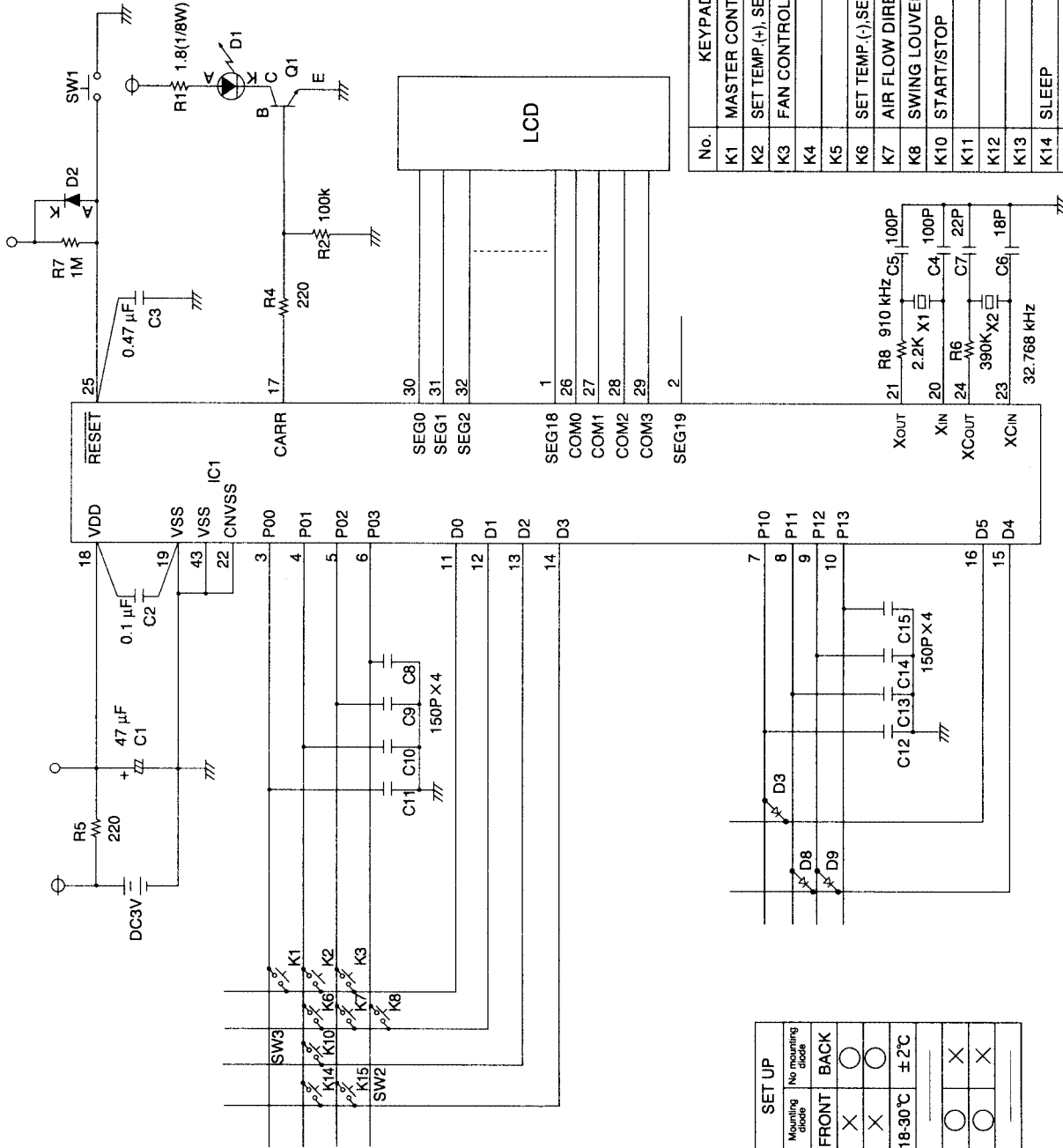
Models : AOY20RMAM2  
AOY24RMAM2

# OUTDOOR PRINTED CIRCUIT BOARD CIRCUIT DIAGRAM

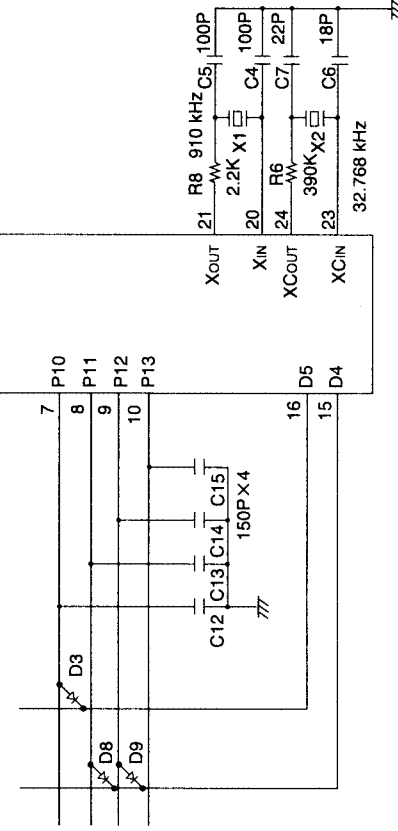


# REMOTE CONTROL UNIT CIRCUIT DIAGRAM

Models : ASY12RMACW  
ASY7RMACW



No.	KEYPADS
K1	MASTER CONTROL
K2	SET TEMP.(+), SET TIME(+)
K3	FAN CONTROL
K4	
K5	
K6	SET TEMP.(-), SET TIME(-)
K7	AIR FLOW DIRECTION
K8	SWING LOUVER
K10	START/STOP
K11	
K12	
K13	
K14	SLEEP
K15	TIMER
SW1	ACL
SW2	TIME ADJUST
SW3	TEST RUN



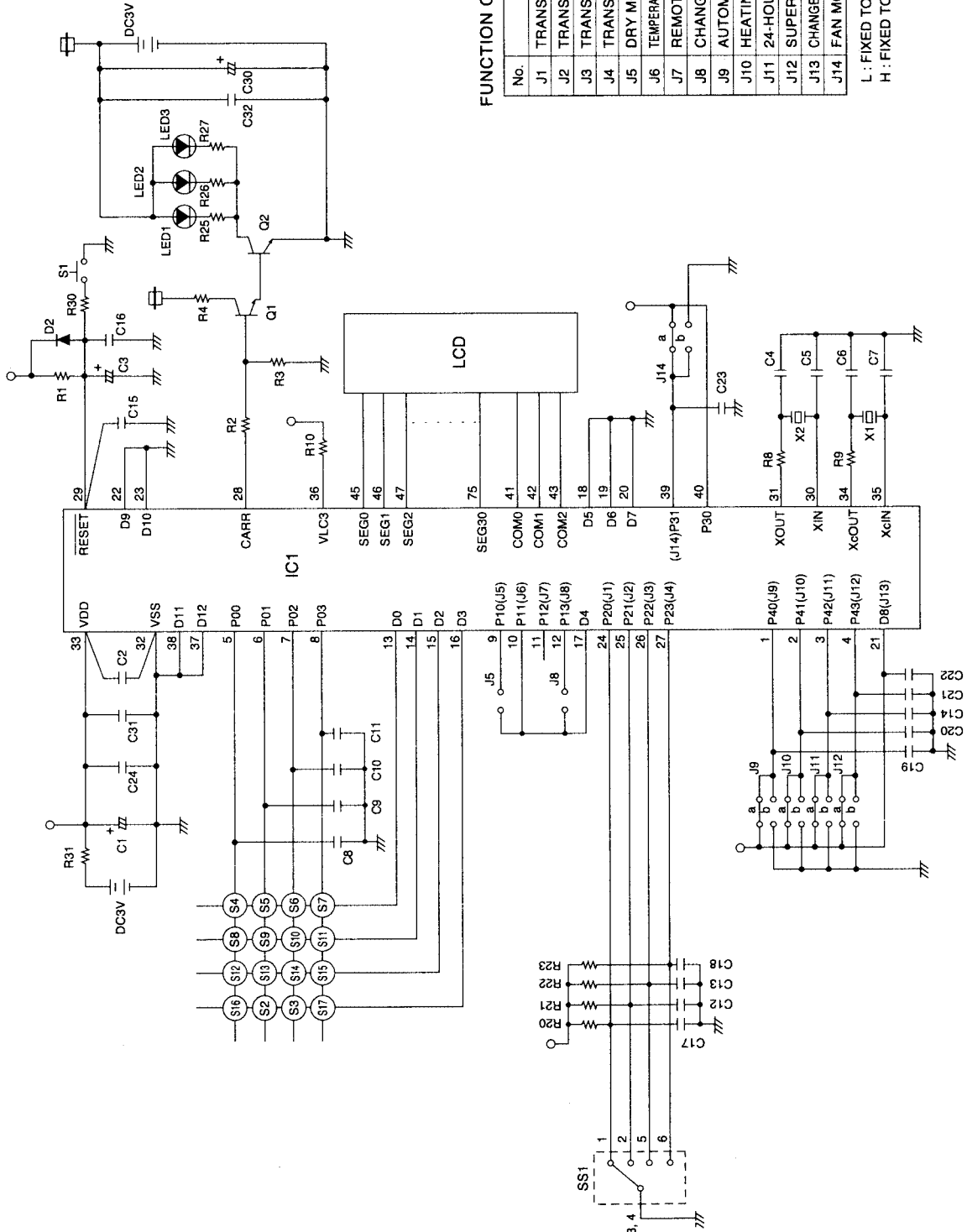
CHANE OF FUNCTION WITH THE DIODES

No.	Functions	SET UP	
		Mounting upside	No mounting upside
D3	Change of transmitting code	FRONT	BACK
D4	Heating operation	X	O
D5	Inverting signal	X	O
D6	Temperature display of automatic operation	18-30°C	±2°C
D7	No selecting function		
D8	Super quiet	O	X
D9	Fan mode	O	X
D10	No selecting function		

O : Possible  
X : Impossible

KEY NO. : KEY FUNCTION CORRESPONDENCE TABLE

No.	KEY FUNCTION
S1	ACL
S2	TIMER ADJUST
S3	TEST RUN
S4	START/STOP
S5	MASTER CONTROL
S6	SET TEMP.(+), SET TIME(+)
S7	SET TEMP.(.), SET TIME(-)
S8	FAN CONTROL
S9	
S10	
S11	UP AND DOWN SWING
S12	UP AND DOWN WIND
S13	ENERGY SAVE
S14	RIGHT AND LEFT SWING
S15	TIMER SELECTOR
S16	SLEEP
S17	RIGHT AND LEFT WIND



FUNCTION CHANGE BY THE JUMPER WIRE

No.	FUNCTION
J1	TRANSMITTING CODE CHANGE L
J2	TRANSMITTING CODE CHANGE H
J3	TRANSMITTING CODE CHANGE H
J4	TRANSMITTING CODE CHANGE H
J5	DRY MODE H
J6	TEMPERATURE DISPLAY OF AUTOMATIC OPERATION L
J7	REMOTE CONTROL SELECTOR H
J8	CHANGE OF TEMPERATURE UNIT H
J9	AUTOMATIC OPERATION H
J10	HEATING MODE H
J11	24-HOUR/12-HOUR H
J12	SUPER QUIET H
J13	CHANGE OF AUTOMATIC OPERATION DISPLAY H
J14	FAN MODE H

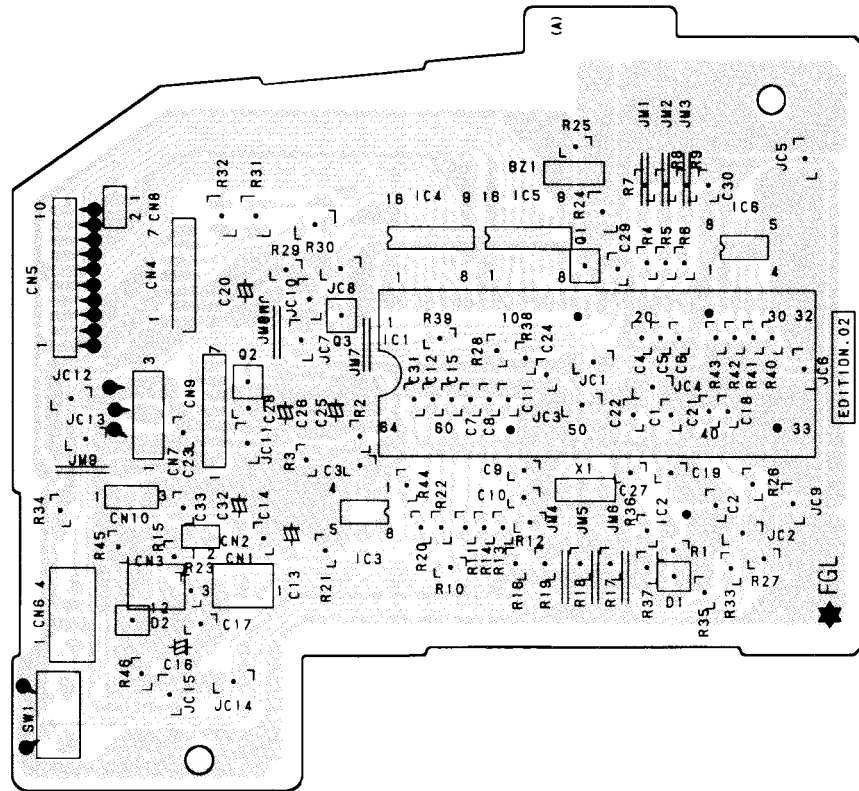
L : FIXED TO LOW LEVEL  
H : FIXED TO HIGH LEVEL

# INDOOR P.C. BOARD LAYOUTS

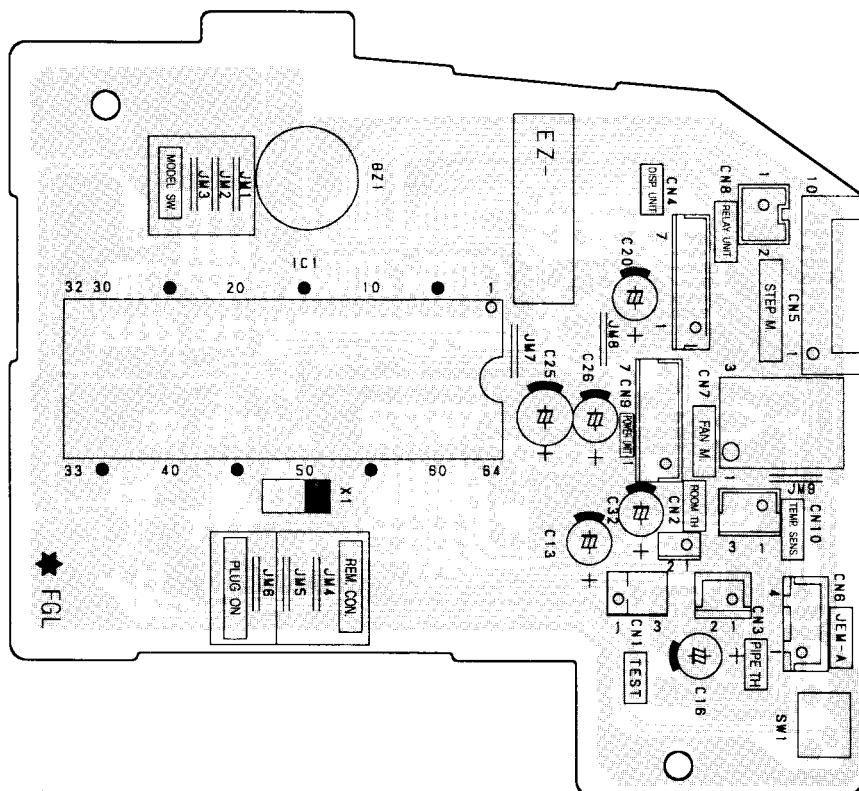
Models : ASY12RMACW  
ASY7RMACW

## CONTROLLER P.C. BOARD ASSEMBLY

(Viewed from the solder side)



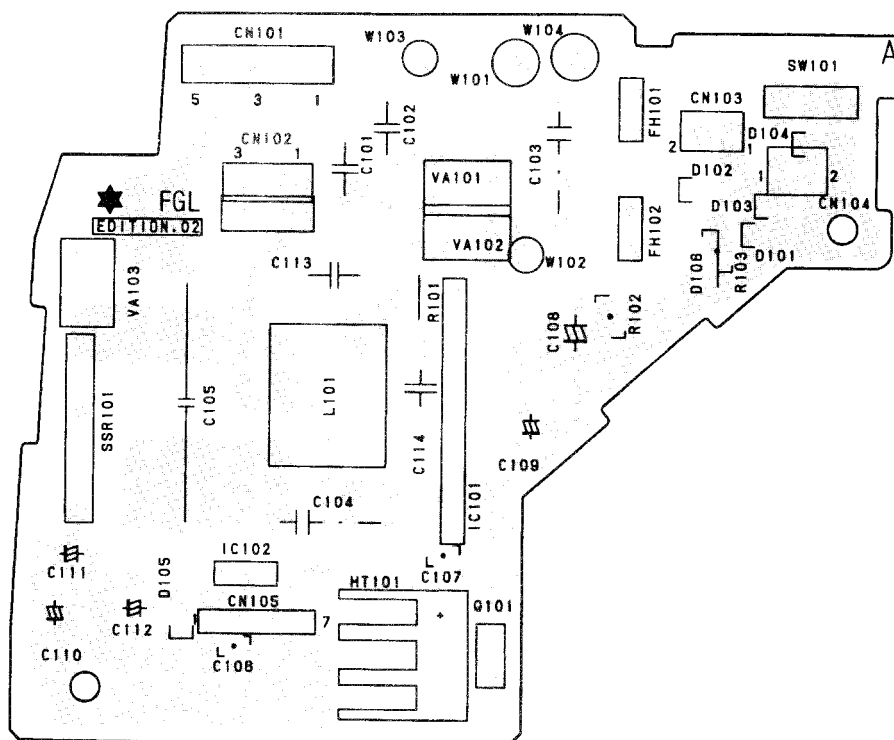
(Viewed from the component side)





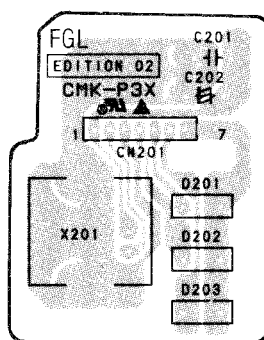
# POWER SUPPLY P.C. BOARD ASSEMBLY

(Viewed from the solder side)



# INDICATOR P.C. BOARD ASSEMBLY

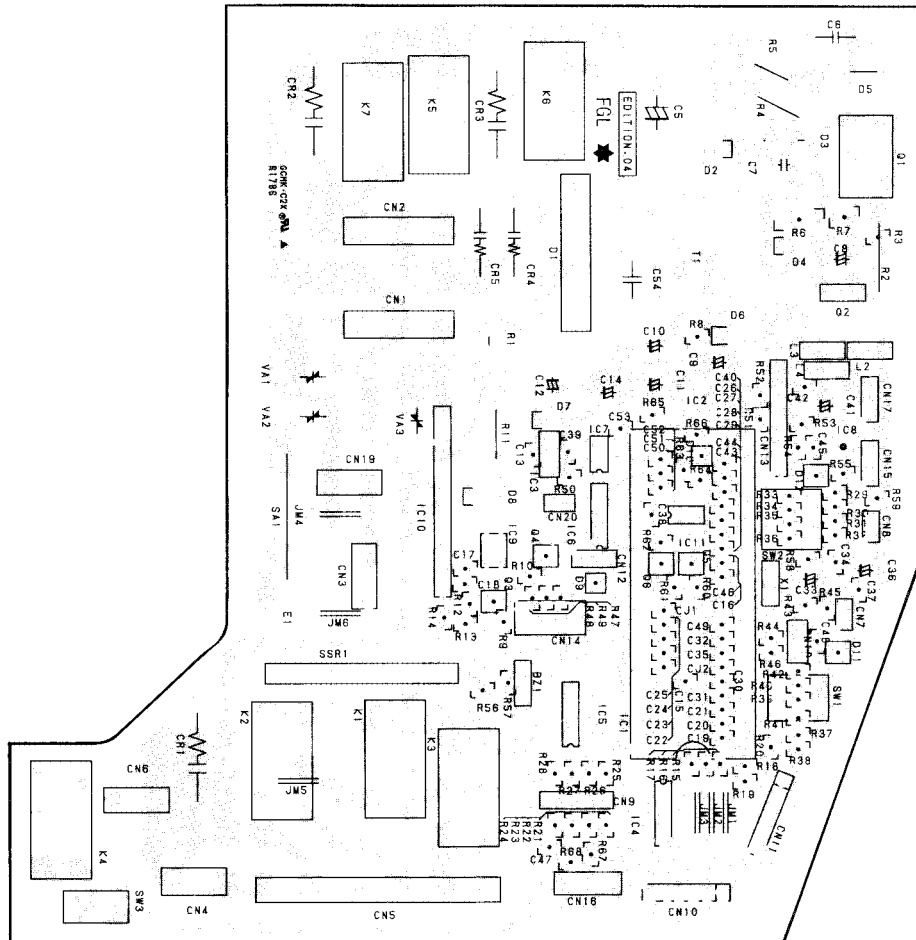
(Viewed from the solder side)



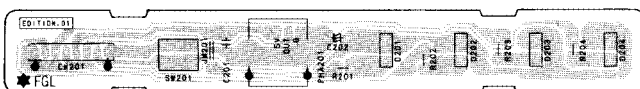
# P. C. BOARD LAYOUTS

Model : AUY12RMA

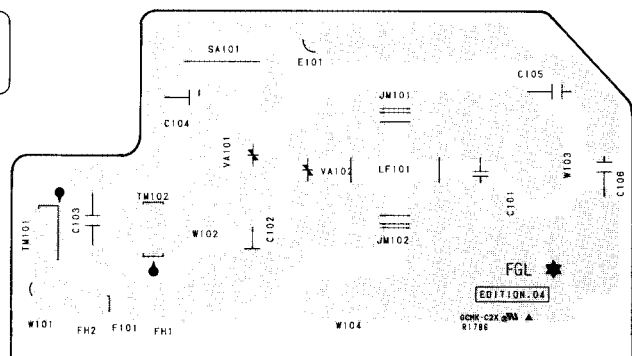
## CONTROLLER P. C. BOARD ASSEMBLY (Viewed from the solder side)



## INDICATOR P. C. BOARD ASSEMBLY (Viewed from the solder side)



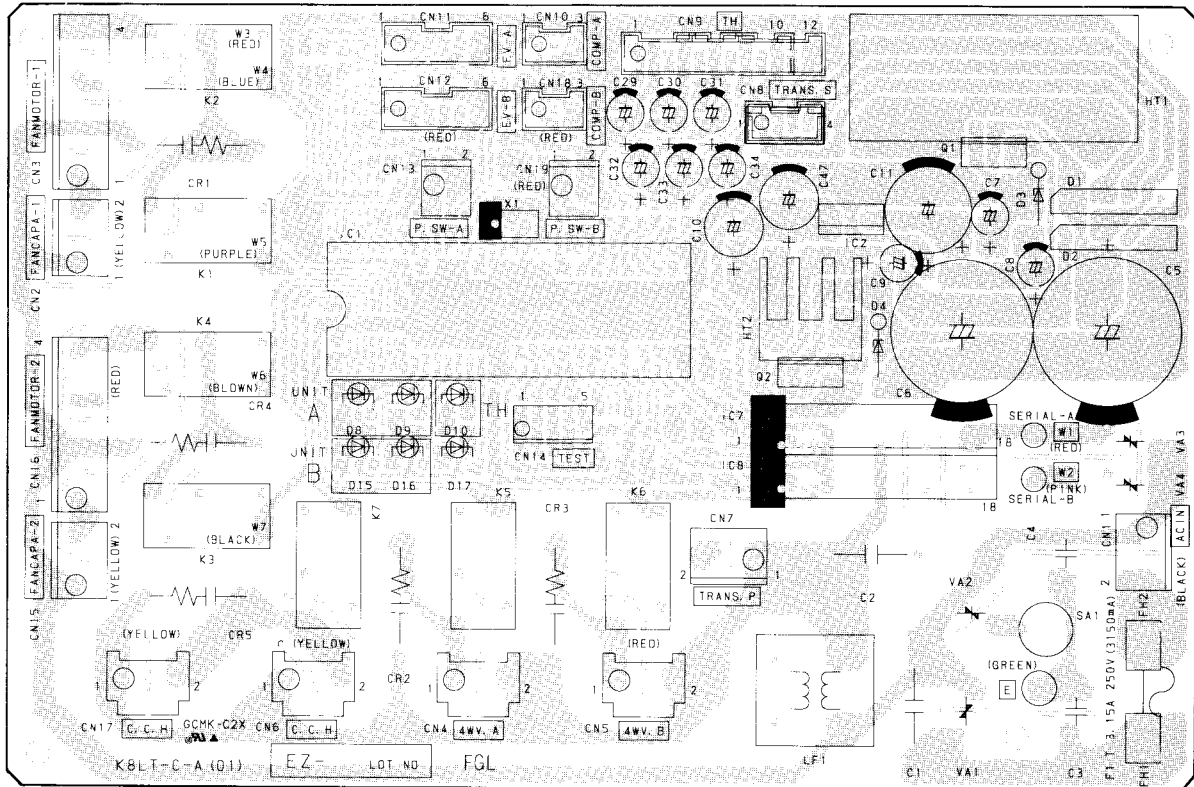
## FILTER P. C. BOARD ASSEMBLY (Viewed from the solder side)



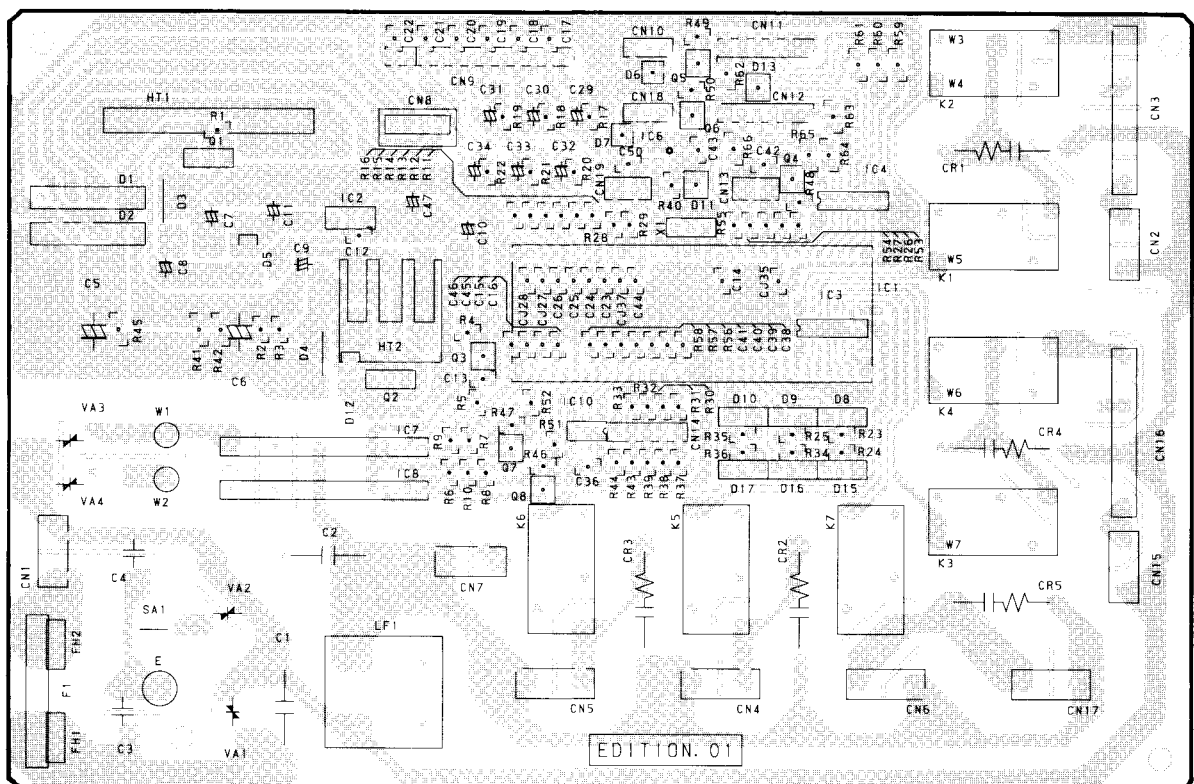
# OUTDOOR P. C. BOARD LAYOUTS

Models : AOY20RMAM2  
AOY24RMAM2

(Viewed from the component side)

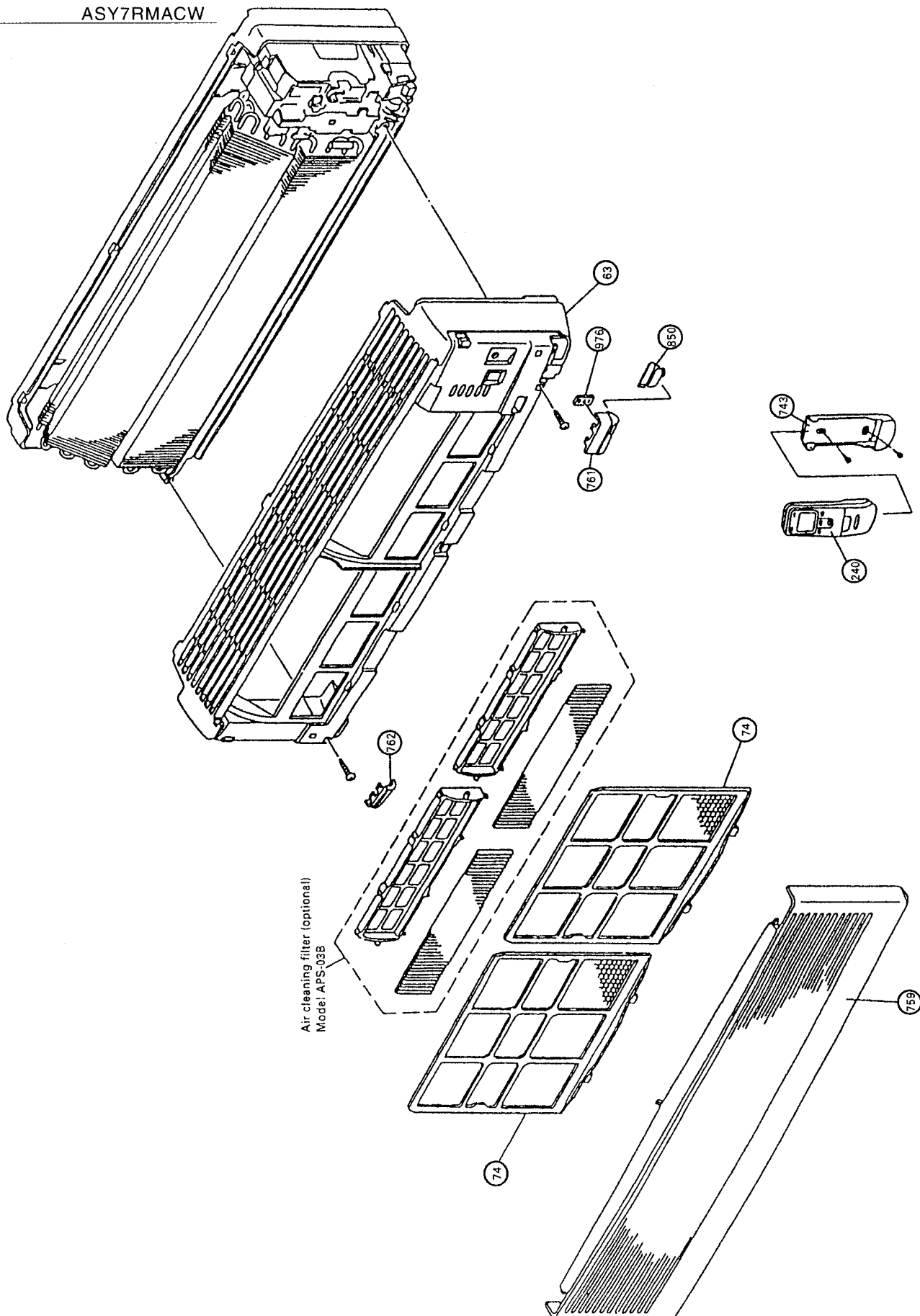


(Viewed from the solder side)

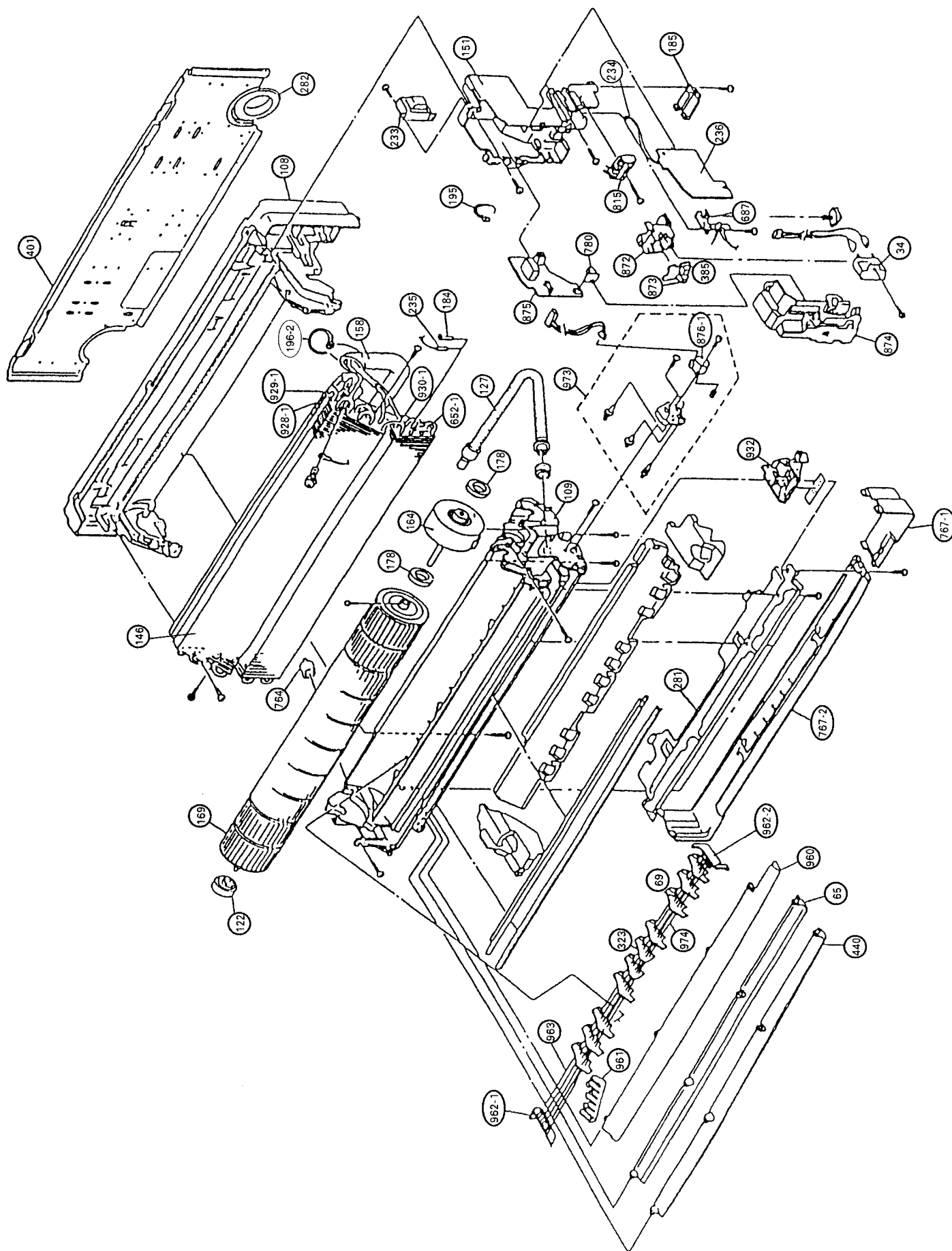


# DISASSEMBLY ILLUSTRATION

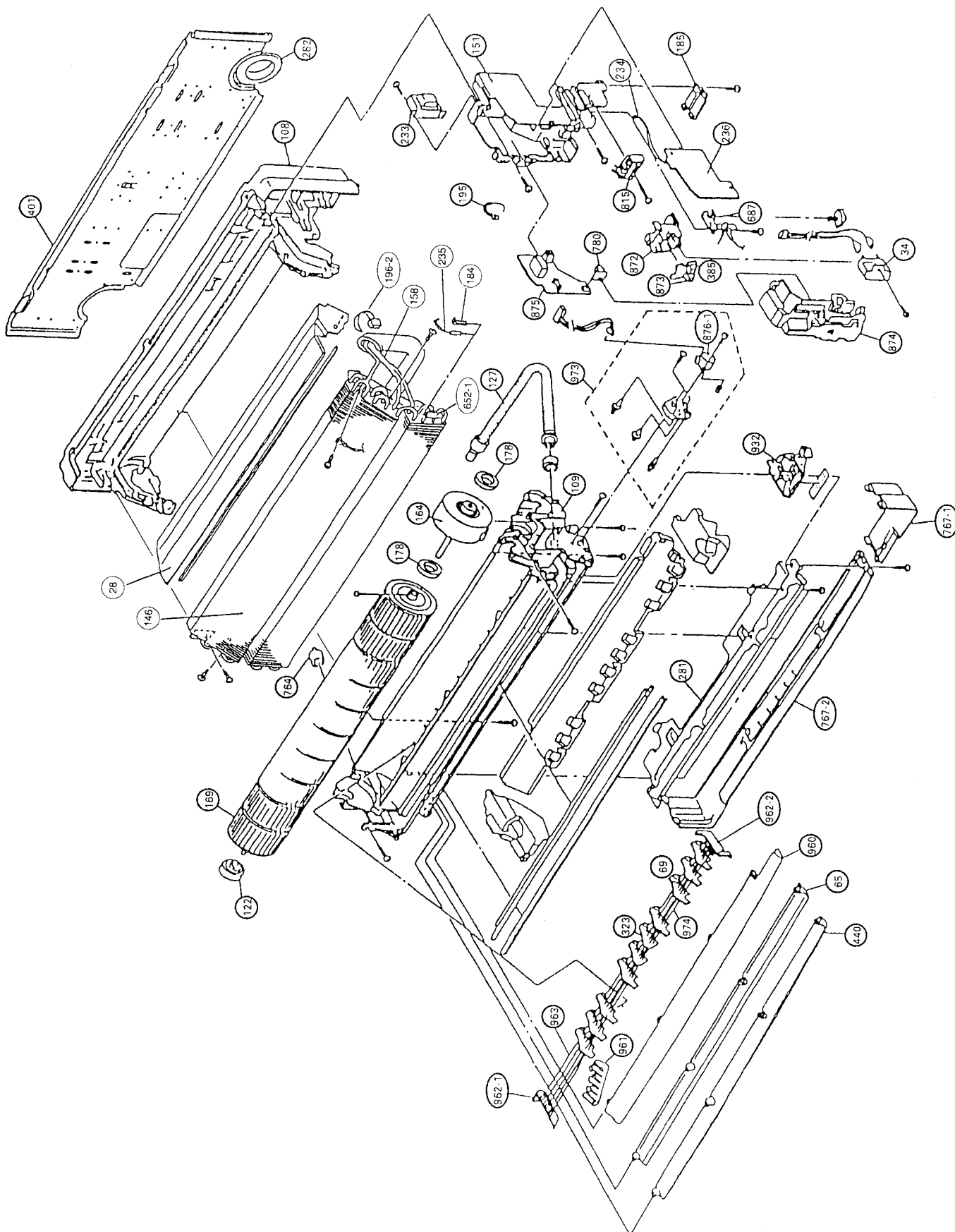
Models : ASY12RMACW  
ASY7RMACW



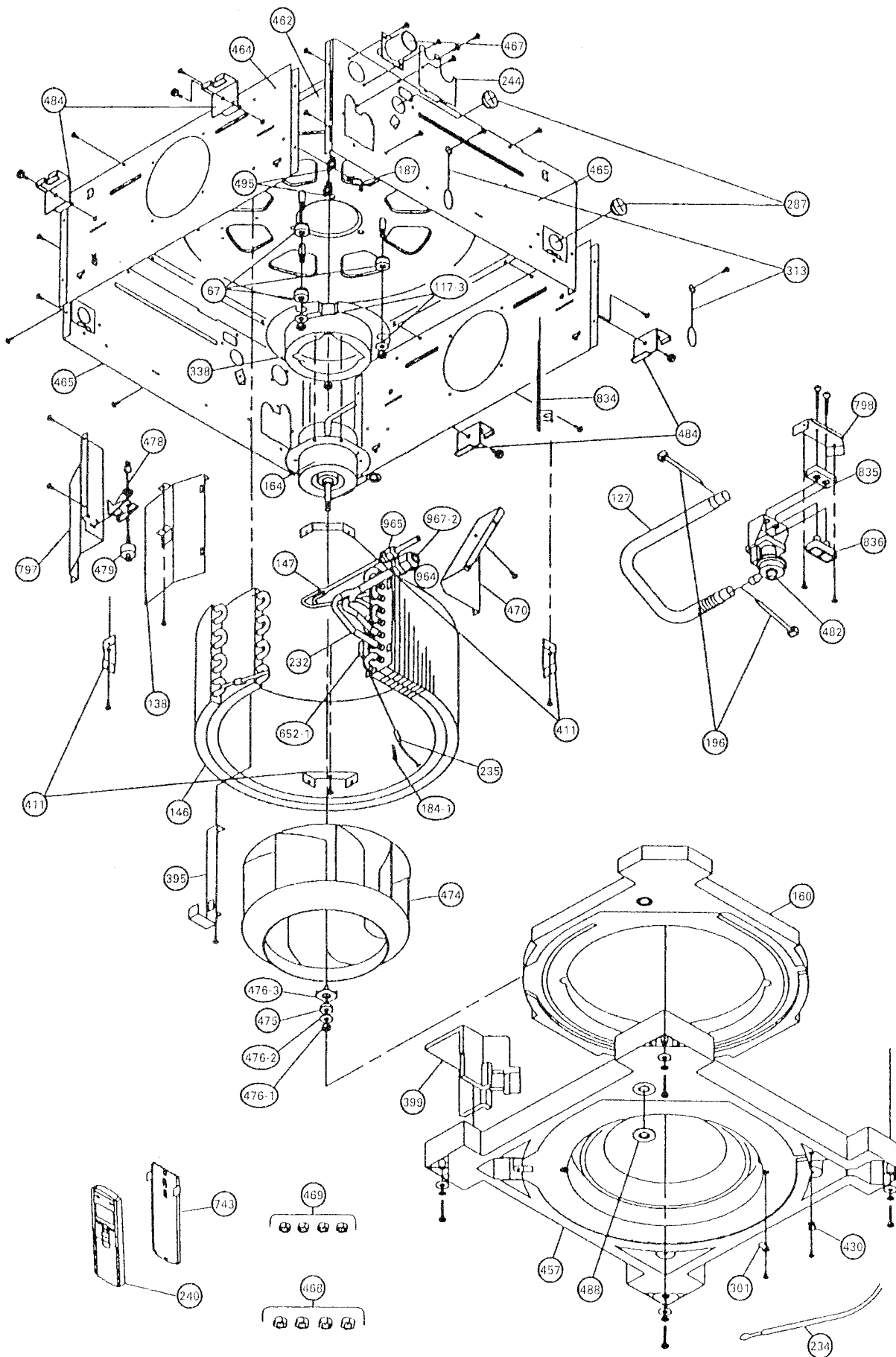
Model : ASY12RMACW



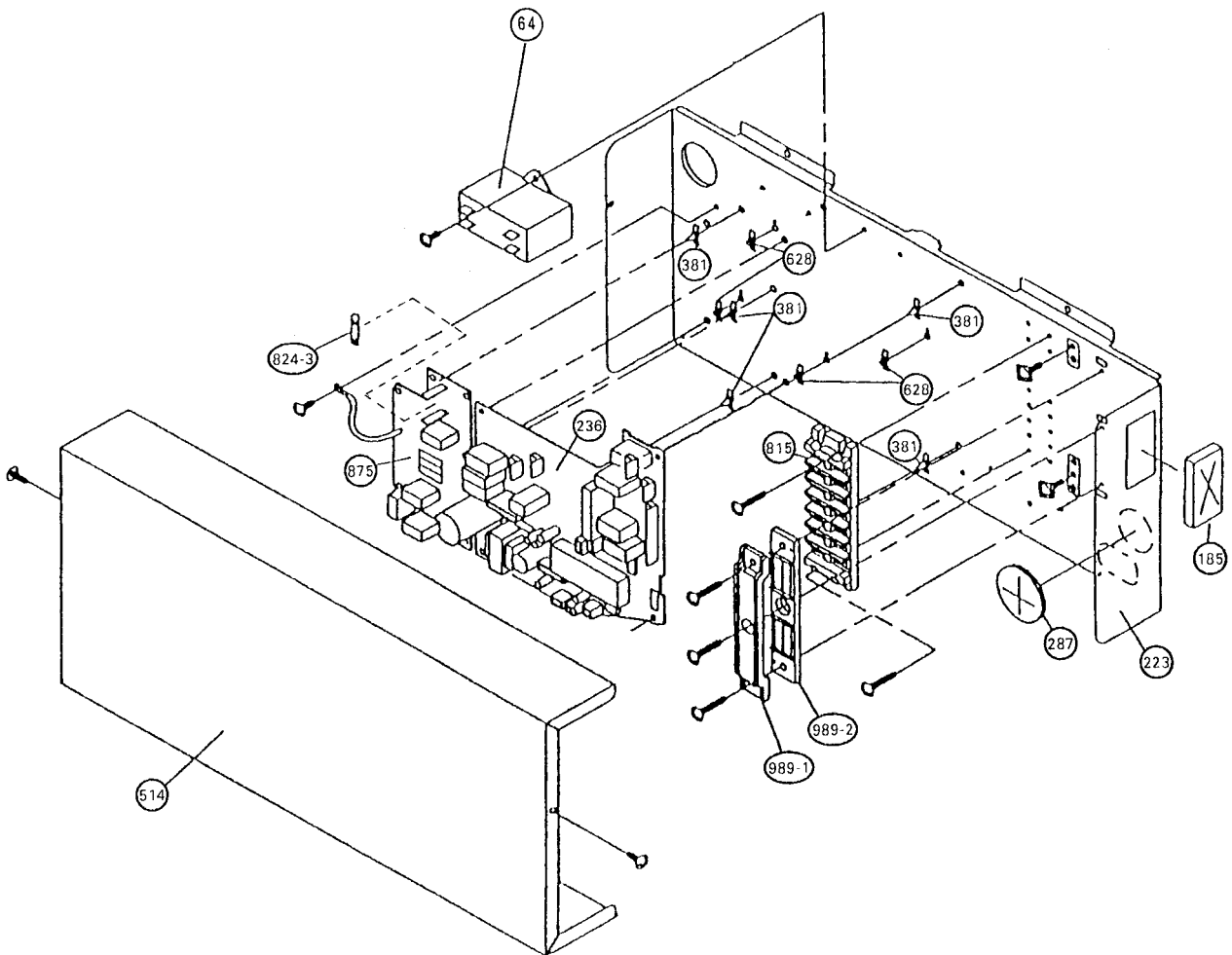
Model : ASY7RMACW



Model : AUY12RMA

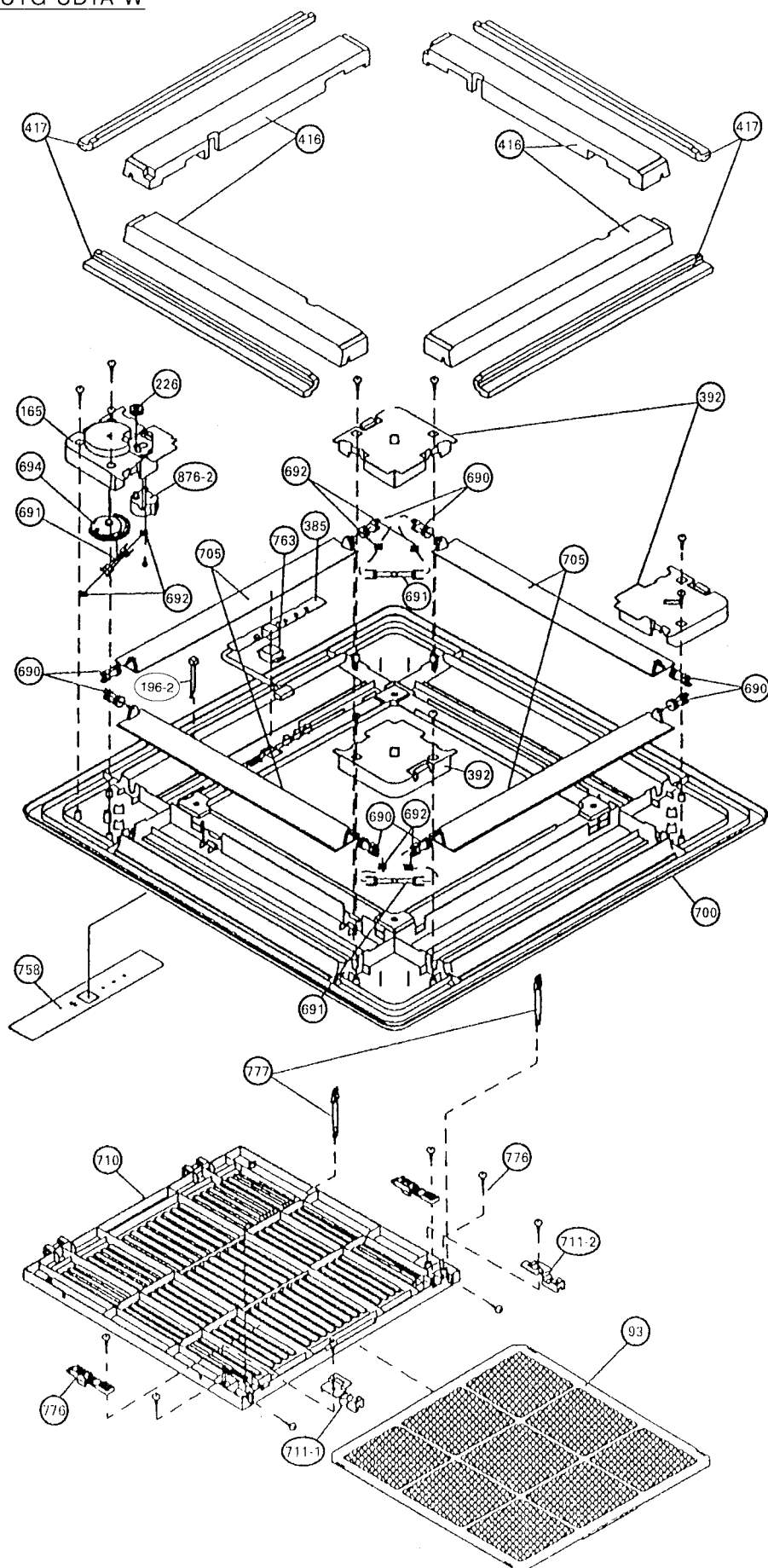


Model : AUY12RMA

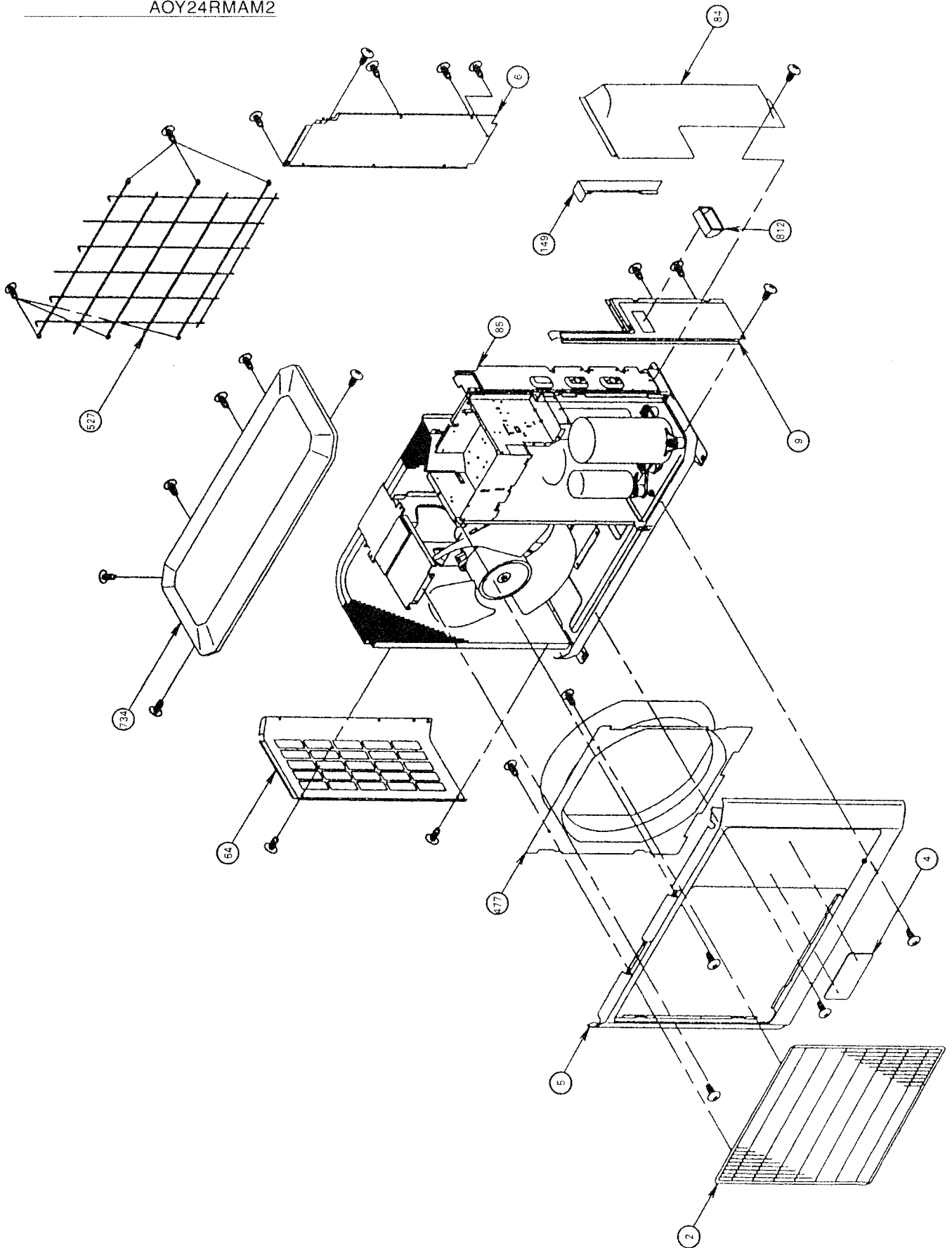


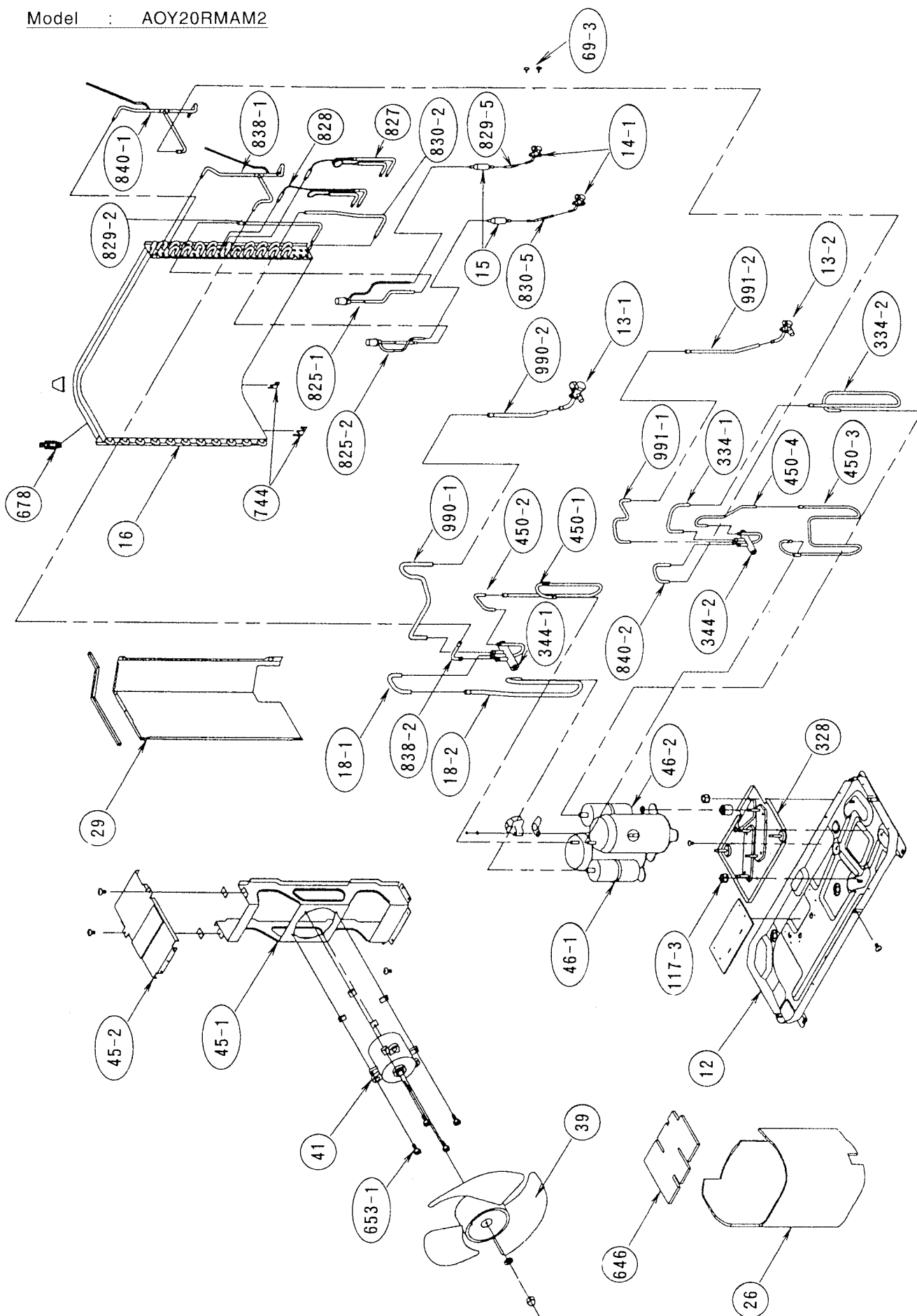


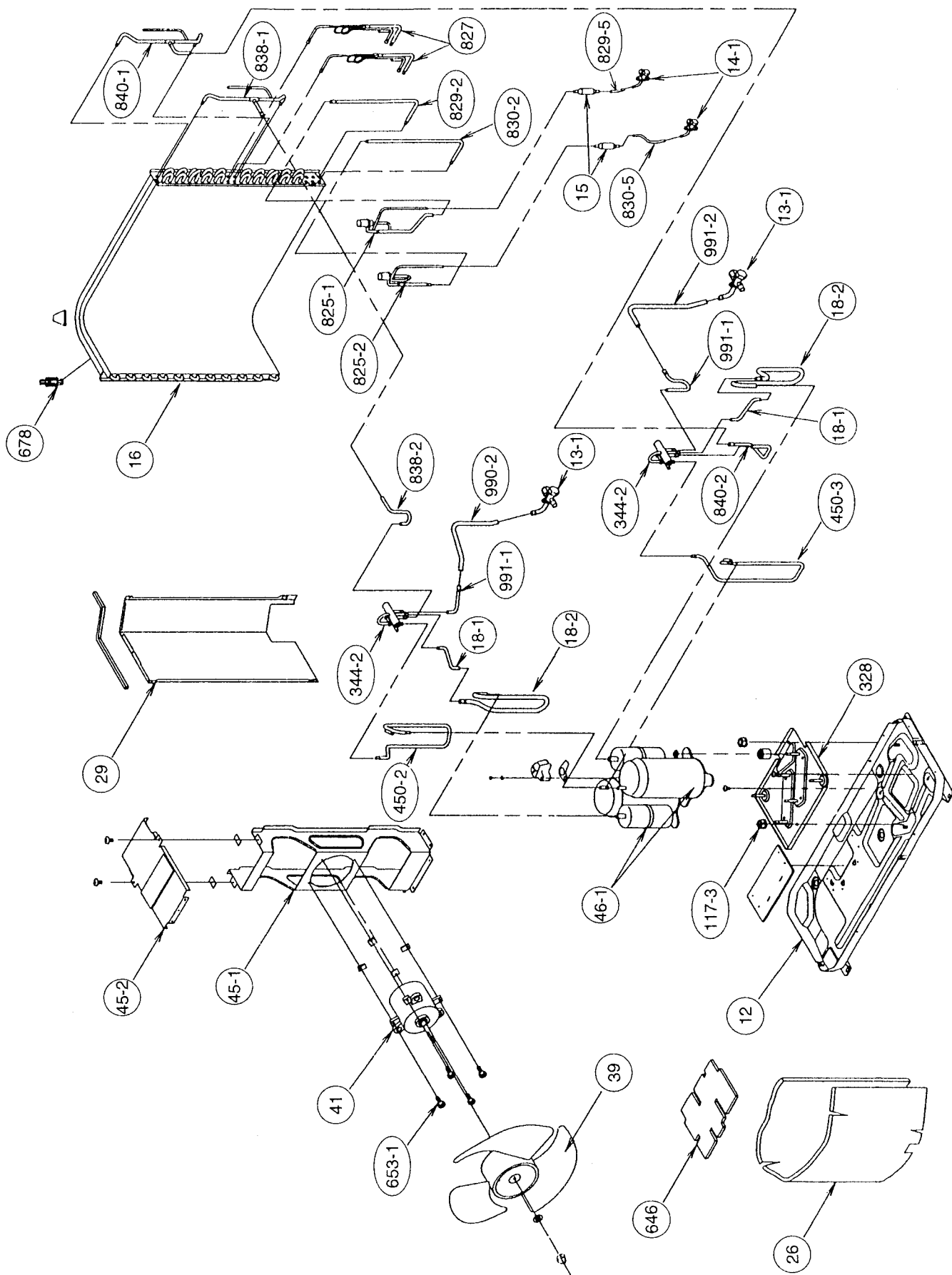
Model : UTG-UDYA-W



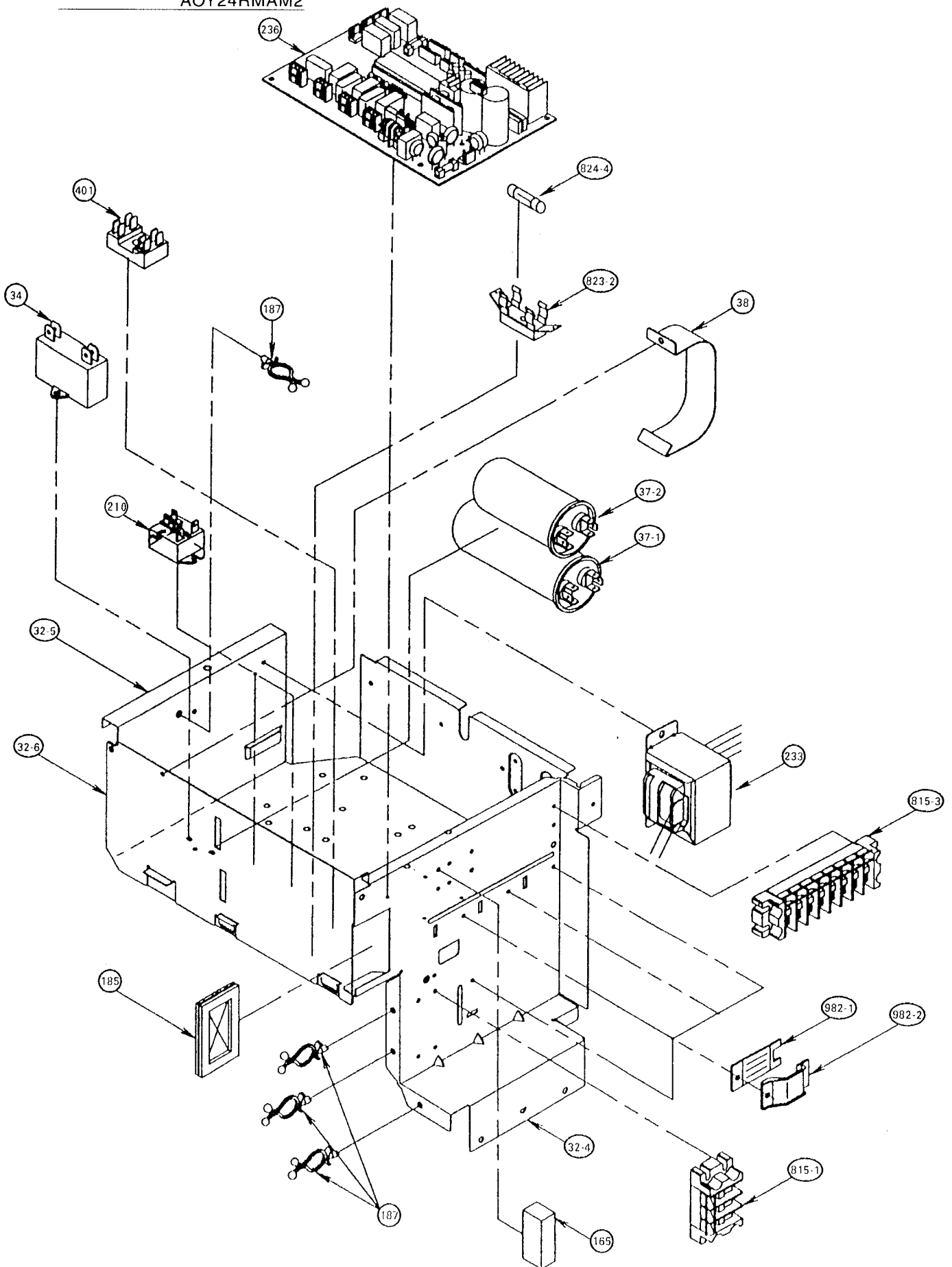
Models : AOY20RMAM2  
AOY24RMAM2



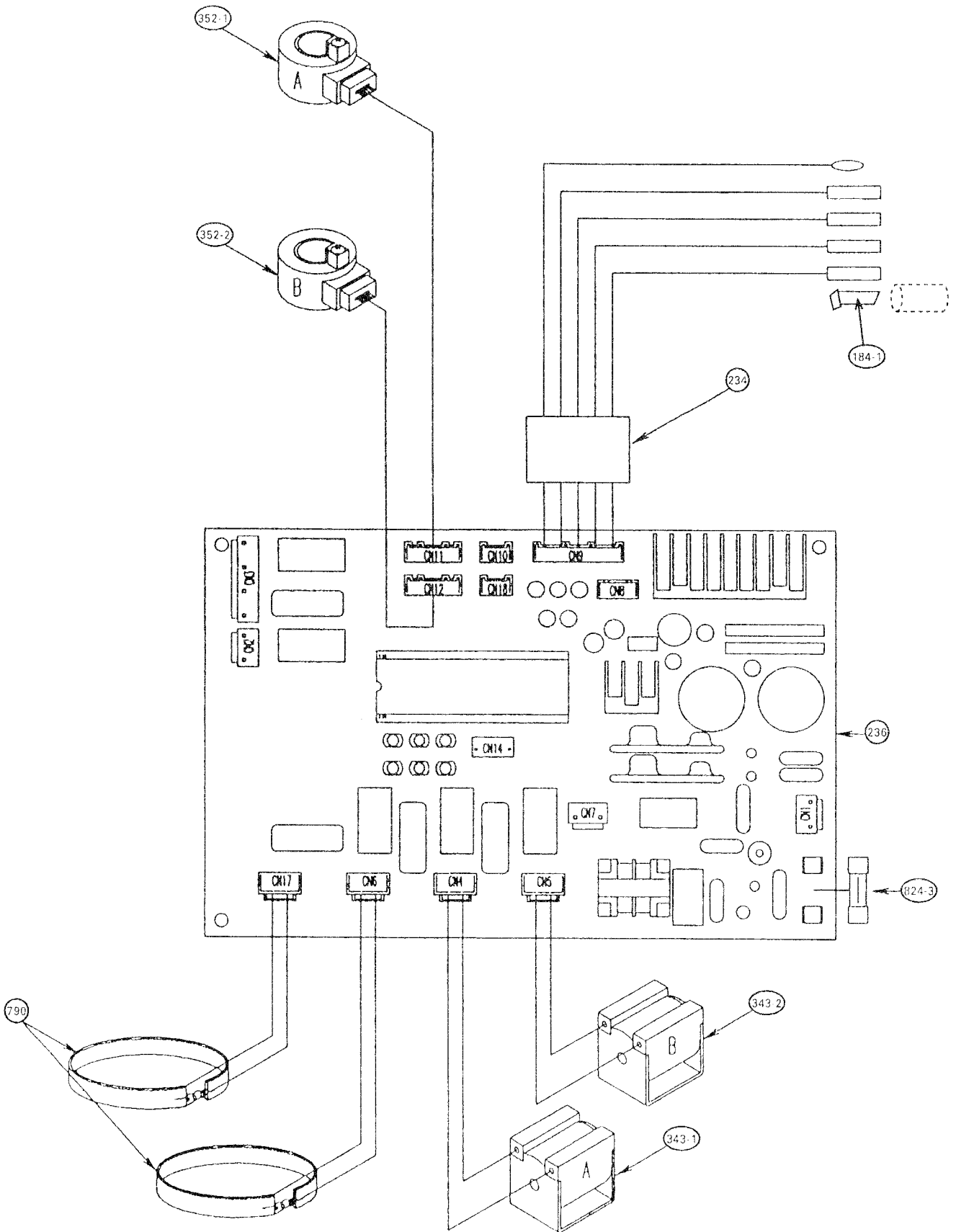




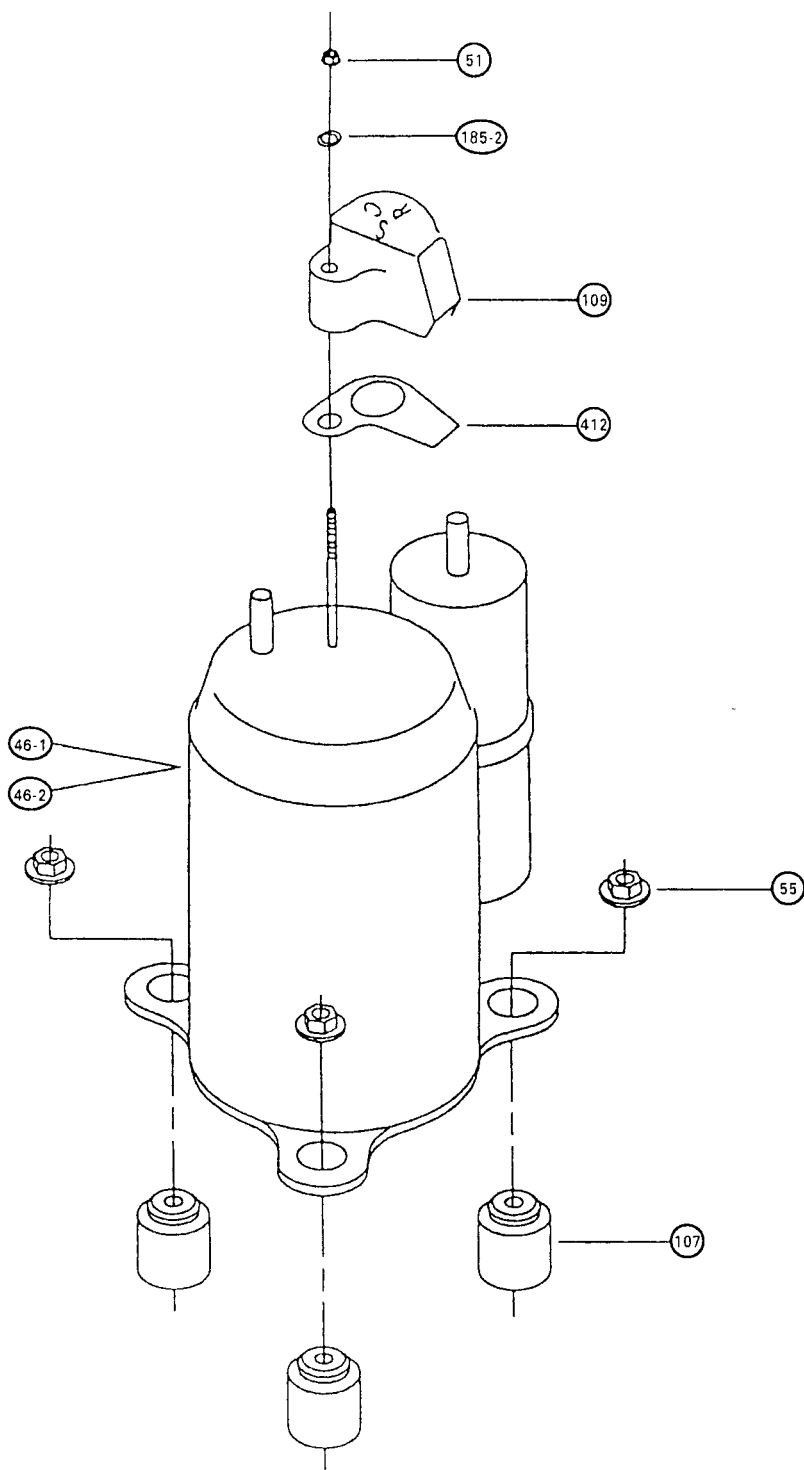
Models : AOY20RMAM2  
AOY24RMAM2



Models : AOY20RMAM2  
AOY24RMAM2



Models : AOY20RMAM2  
AOY24RMAM2



## PARTS LIST

When you order parts, please make a photocopy of this page and fill the number of the parts in the "Order" column.

INDOOR UNIT (ASY12RMACW, ASY7RMACW)

Ref. No.	Description	Part No.		Order Q'ty
		ASY12RMACW	ASY7RMACW	
28	Blower Cover	—	9306462000	
34	Capacitor (Fan Motor)	0300931097	0300931097	
63	Front Panel Assy	9305656097	9305656097	
65	Flow Control Panel-Z	9305443017	9305443017	
69	Louver-A	9305415014	9305415014	
74	Filter	9305444014	9305444014	
108	Base	9305427017	9305427017	
109	Casing	9305411016	9305411016	
122	Shaft Holder-B	9303066010	9303066010	
127	Drain Hose Assy	9305550029	9305550029	
146	Evaporator Assy	9308555014	9362971003	
151	Control Box	9305448036	9305448036	
158	Connecting Pipe Assy	9307073007	9357750002	
164	Fan Motor Assy-IN	9306448011	9306448011	
169	Cross-flow Fan Assy	9307836015	9307836015	
178	Motor Cushion-B	9306274009	9306274009	
184	Thermistor Spring	313104262701	313104262701	
185	Cord Clamp	9305940004	9305940004	
195	Clamp SKB-100	313361275805	313361275805	
196-2	Clamp SKB-150	313035356905	313035356905	
233	Power Transformer	9702015022	9702015022	
234	Thermistor Assy	9702324018	9702324018	
235	Thermistor Assy-(Pipe)	9702425012	9702425012	
236	Controller PCB Assy EZ-0980KHSE-C(F)	9702342029	9702342029	
240	Remote Control Unit	9307113055	9307113055	
281	Clamp Metal (Pipe)	9306192006	9306192006	
282	Wall Cap-B (Accessory)	313714296205	313714296205	
323	Louver-B	9305597017	9305597017	
385	Indicator PCB Assy EZ-042HSD-D(F)	9701364213	9701364213	
401	Wall Hook Bracket	9304358008	9304358008	
440	Flow Control Panel-U	9306173036	9306173036	
652-1	Thermistor Holder Pipe	313714262805	313714262805	
687	Earth Terminal	9306483005	9306483005	
743	Remote Control Holder Case	9305642014	9305642014	
759	Intake Grille-B "FUJITSU"	9305995028	9305995028	
761	Side Cover-R	9305996025	9305996025	
762	Side Cover-L	9305437054	9305437054	
764	Drain Cap Assy	9304150008	9304150008	
767-1	Bottom Cover-A	9305428014	9305428014	
767-2	Bottom Cover-B	9305429011	9305429011	
780	Key Top (Slide Switch)	9303526002	9303526002	
815	Terminal-3P	9701955046	9701955046	
850	Window (Receiver)	9305439010	9305439010	
872	Indicator Case	9305978014	9305978014	
873	Lamp Cover	9305451012	9305451012	
874	Control Box Cover	9305977017	9305977017	
875	Power Supply PCB Assy EZ-09801HSE-P(F)	9702704025	9702704025	
876-1	Step Motor	9305780006	9305780006	
928-1	U-Pipe (BB)	9305747009	—	
929-1	U-Pipe (V)	9305748006	—	
930-1	U-Pipe (W)	9305749003	9305749003	
932	Outlet Cover	9305414017	9305414017	
960	Diffuser	9305412013	9305412013	
961	Guard Clamp	9306332013	9306332013	
962-1	Guard Holder-L	9305753017	9305753017	
962-2	Guard Holder-R	9305752010	9305752010	
963	Fan Guard	9305751013	9305751013	
973	Gear Assy (w/Step Motor)	9305452002	9305452002	
974	Joint (Louver)	9305416011	9305416011	
976	Window (Indicator)	9305440016	9305440016	



When you order parts, please make a photocopy of this page and fill the number of the parts in the "Order" column.

INDOOR UNIT (AUY12RMA)

Ref. No.	Description	Part No.	Order Q'ty	Ref. No.	Description	Part No.	Order Q'ty
64	Capacitor (Fan Motor)	9350974030		467	Drain Port	313005415658	
67	Rubber (Vibration Proof)	9361279001		468	Special Nut-A (Large)	313005446653	
117-3	Special Washer M6	313306391007		469	Special Nut-B (Small)	313005446759	
127	Drain Hose	9359659013		470	Separate Wall-B	9359648000	
138	Separate Wall-A	9359647003		474	Turbo Fan	9359658009	
146	Evaporator Assy	9360009012		475	Turbo Fan Rubber	313005445054	
147	Inlet Pipe (Eva.) Assy	9360010018		476-1	Special Nut M8	313005360755	
160	Drain Pan	9359651000		476-2	Special Washer	301801185049	
164	Fan Motor Assy-IN	9600803011		476-3	Special Washer	9359954002	
184-1	Thermo. Spring-A	313728262708		478	Sensor M. Bracket	9359654001	
185	Rubber Bushing	313005066051		479	Float Switch	313005416154	
187	Clamp No. 1219	313361271706		482	Pump Unit	9359974000	
196-2	Clamp SKB-150	313035356905		484	Hanger Metal	9359644002	
223	Control Box	9359661016		488	Drain Pan Plug	9359653004	
232	Outlet Pipe (Eva.) Assy	9360011015		495	Clamp No. 2U46	9352715006	
234	Thermistor Assy	9703299032		514	Control Box Cover	9359662006	
235	Thermistor Assy	9701947027		628	Locking Spacer-B	313005446558	
236	Controller PCB Assy	9702348014		652-1	Thermistor Holder Pipe	313806262805	
240	Remote Control Unit	9359913030		743	Remote Control Holder Case	9359955016	
244	Pipe Cover	9359646006		797	Separate Wall-C	9359649007	
287	Cap (Power)	9352173011		798	Pump Hook Bracket	9359650003	
301	Clamp NK-2N	313985355201		815-1	Terminal-3P	9358660027	
313	Hooking Wire	9359983002		824-3	Fuse	0600222512	
338	Motor Fixture	9359656005		834	Wire Cover	9359878001	
381	Locking Spacer	313209391506		835	Cushion-A (For Pump)	9352211003	
395	Supporter (Eva.)	9359669005		836	Cushion-B (For Pump)	9356084016	
399	Air Duct	9359660002		875	Filter PCB Assy	9702219017	
411	Supporter-A	9359655008		964	Flare Nut-A	313996239804	
430	Clamp NK-7N	313095365602		965	Flare Nut-B	9351062019	
457	Drain Pan Support	9359652007		967-2	Bonnet-B	9301858006	
462	Top Cover Plate	9359642015		989-1	Cord Clamp-A	9359822011	
464	Body-A	9359643005		989-2	Cord Clamp-B	9359823018	
465	Body-B	9359645009					

GRILLE ASSY (UTG-UDYA-W) (AUY12RMA)

Ref. No.	Description	Part No.	Order Q'ty	Ref. No.	Description	Part No.	Order Q'ty
93	Filter	9359632009		694	Cam Gear	9359628002	
165	Motor Cover	9359623014		700	Panel	9359619017	
196-2	Clamp SKB-150	313035356905		705	Louver	9359624011	
226	Motor Gear	9359629009		710	Intake Grille	9359631019	
385	Indicator PCB Assy	9702224011		711-1	Filter Clamp-A	9359634003	
392	Cover-A	9359622017		711-2	Filter Clamp-B	9359635000	
416	Insulation (Panel)-A	9359620006		758	Decoration Plate-A	9360039019	
417	Insulation (Panel)-B	9359621003		763	Receiver Cover	9359630005	
690	Joint-A	9359626008		776	Grille Stopper	9359633013	
691	Joint-B	9359627005		777	Grille Hook	9359761006	
692	Joint Shaft	9359625001		876-2	Step Motor	9360307019	

OUTDOOR UNIT (AOY20RMAM2)

Ref. No.	Description	Part No.	Order Q'ty	Ref. No.	Description	Part No.	Order Q'ty
2	Fan Cover	9359808015		26	Compressor Cover	9361509009	
4	Emblem "FUJITSU"	9359836018		29	Separate Wall	9359805014	
5	Cabinet-A, Painted	9359797043		32-4	Control Box Metal-D	9361247000	
6	Cabinet-C, Painted	9359825029		32-5	Control Box Metal-E	9361248007	
9	Cabinet-B, Painted	9359824022		32-6	Control Box Metal-F	9361249004	
12	Base Assy, Painted	9359813019		34	Capacitor (Fan Motor)	9357965024	
13-1	3-Way Valve	9360946003		37-1	Running Capacitor	9356386066	
13-2	3-Way Valve	9360945006		37-2	Running Capacitor	9356386035	
14-1	2-Way Valve	9361510005		38	Clamp Metal (Capacitor)	9352123009	
15	Dryer Assy	313523082505		39	Propeller Fan	9359837015	
16	Condenser Assy	9361459007		41	Fan Motor Induction-OUT	9600266045	
18-1	Suction Pipe-A1	9361473003		45-1	Motor Bracket	9359802013	
18-2	Suction Pipe-A2	9361474000		45-2	Motor Bracket-Top	9359803010	

OUTDOOR UNIT (Continued) (AOY20RMAM2)

When you order parts, please make a photocopy of this page and fill the number of the parts in the "Order" column.

Ref. No.	Description	Part No.	Order Q'ty	Ref. No.	Description	Part No.	Order Q'ty
46-1	Compressor Assy RH247VHAT	9361463004		450-2	Discharge Pipe-A2	9361466005	
46-2	Compressor Assy RH167VHAT	9361462007		450-3	Discharge Pipe-B1 Assy	9361487000	
51	Special Nut (For Comp.)	9358079003		450-4	Discharge Pipe-B2	9361489004	
55	Special Nut M8 (For Comp.)	9355091008		477	Bell Mouth	9359809012	
64	Cabinet-Left, Painted	9359840046		527	Protective Net (Condenser)	9359845010	
69-3	Hexagon Bolt (Cross recessed)	301210060360		646	Compressor Cover	9361524002	
84	Valve Cover	9359834014		653-1	Bolt (Fan Motor Fixing)	0700156014	
85	Valve Plate Assy, Painted	9361251021		678	Bracket (Thermistor)	313557406106	
107	Rubber Seat (For Comp.)	9358080009		734	Top Plate, Painted	9359799023	
109	Terminal Cover (For Comp.)	9358076002		744	Clamp (Condenser)	313166374106	
117-3	Hexagon Nut (Spring Lock Washer)	301721180114		790	Belt Heater	9361520004	
149	Water Seal Plate	9359841029		812	Grip	9352157004	
165	Surge Absorber	9702968014		815-1	Terminal-3P	9358660027	
184-1	Thermo. Spring-A	313712826708		815-3	Terminal-8P	9358660119	
185	Rubber Bushing	313005066051		823-2	Fuse Holder	0500063024	
185-2	Rubber Washer (For Comp.)	9358078006		824-3	Fuse	0600222512	
187	Clamp No. 1219	313361271706		824-4	Fuse	0600222529	
210	Main Relay	9356781007		825-1	Expansion Valve-A Assy	9360821010	
233	Power Transformer	9701156016		825-2	Expansion Valve-B Assy	9360822017	
234	Thermistor Assy	9702925017		827	Capillary-A Assy	9360814029	
236	Controller PCB Assy	9702766016		828	Capillary-B Assy	9360815026	
328	Compressor Plate Assy	9359830016		829-2	Joint Pipe-A2	9361522008	
334-1	Suction Pipe-B1	9361496002		829-5	Joint Pipe-A5	9361484009	
334-2	Suction Pipe-B2	9361497009		830-2	Joint Pipe-B2	9361503007	
343-1	Solenoid Coil-A	9361513006		830-5	Joint Pipe-B5	9361506008	
343-2	Solenoid Coil-B	9361515000		838-1	Inlet Pipe-A Assy	9361460003	
344-1	4-Way Valve	313943302804		838-2	Inlet Pipe-A1	9361467002	
344-2	4-Way Valve	313947302811		840-1	Inlet Pipe-B Assy	9361461000	
352-1	Expansion Coil-A	9361514003		840-2	Inlet Pipe-B1	9361490000	
352-2	Expansion Coil-B	9361516007		982-1	Cord Clamp	9356857009	
401	Terminal-2P	9701971015		982-2	Cord Clamp-B	9356858006	
412	Terminal Gasket (For Comp.)	9358077009		990-1	Connecting Pipe-A1	9361475007	
450-1	Discharge Pipe-A1 Assy	9361464001		990-2	Connecting Pipe-A2	9361476004	
				991-1	Connecting Pipe-B1	9361498006	
				991-2	Connecting Pipe-B2	9361499003	

OUTDOOR UNIT (AOY24RMAM2)

Ref. No.	Description	Part No.	Order Q'ty	Ref. No.	Description	Part No.	Order Q'ty
2	Fan Cover	9359808015		234	Thermistor Assy	9702925017	
4	Emblem "FUJITSU"	9359836018		236	Controller PCB Assy	9703272011	
5	Cabinet-A, Painted	9359797043		328	Compressor Plate Assy	9359830016	
6	Cabinet-C, Painted	9359825029		343-1	Solenoid Coil-A	9361513006	
9	Cabinet-B, Painted	9359824022		343-2	Solenoid Coil-B	9361515000	
12	Base Assy, Painted	9359813019		344-2	4-Way Valve	313947302811	
13-1	3-Way Valve	9360946003		352-1	Expansion Coil-A	9361514003	
14-1	2-Way Valve	9361510005		352-2	Expansion Coil-B	9361516007	
15	Dryer Assy	313523082505		401	Terminal-2P	9701971015	
16	Condenser Assy	9363534009		412	Terminal Gasket (For Comp.)	9358077009	
18-1	Suction Pipe-A1	9363561005		450-1	Discharge Pipe-A Assy	9363557008	
18-2	Suction Pipe-A2	9363562002		450-3	Discharge Pipe Assy	9363563009	
26	Compressor Cover-L	9363532005		477	Bell Mouth	9359809012	
29	Separate Wall	9359805014		527	Protective Net (Condenser)	9359845010	
32-4	Control Box Metal-D	9361247000		646	Compressor Cover-S	9363533002	
32-5	Control Box Metal-E	9361248007		653-1	Bolt (Fan Motor Fixing)	0700156014	
32-6	Control Box Metal-F	9361249004		678	Bracket (Thermistor)	313557406106	
34	Capacitor (Fan Motor)	9700467052		734	Top Plate, Painted	9359799023	
37-1	Running Capacitor	9356386066		744	Clamp (Condenser)	313166374106	
38	Clamp Metal (Capacitor)	9352123009		790	Belt Heater	9361520004	
39	Propeller Fan	9359837015		812	Grip	9352157004	
41	Fan Motor Induction-OUT	9600266045		815-1	Terminal-3P	9358660027	
45-1	Motor Bracket	9359802013		815-3	Terminal-8P	9358660119	
45-2	Motor Bracket-Top	9359803010		823-2	Fuse Holder	0500063024	
46-1	Compressor Assy RH247VHAT	9361463004		824-4	Fuse	0600222529	
51	Special Nut (For Comp.)	9358079003		825-1	Expansion Valve-A Assy	9360821027	
55	Special Nut M8 (For Comp.)	9355091008		825-2	Expansion Valve-B Assy	9360822024	
64	Cabinet-Left, Painted	9359840046		827	Capillary-A Assy	9360814050	
69-3	Hexagon Bolt (Cross recessed)	301210060360		829-2	Joint Pipe-A2	9363535006	
84	Valve Cover	9359834014		829-5	Joint Pipe-A5	9361484009	
85	Valve Plate Assy, Painted	9361251021		830-2	Joint Pipe-B2	9363536003	
107	Rubber Seat (For Comp.)	9358080009		830-5	Joint Pipe-B5	9363549003	
109	Terminal Cover (For Comp.)	9358076002		838-1	Inlet Pipe-A Assy	9360832016	
117-3	Hexagon Nut (Spring Lock Washer)	301721180114		838-2	Inlet Pipe-A1	9363559002	
149	Water Seal Plate	9359841029		840-1	Inlet Pipe-B Assy	9360833013	
165	Surge Absorber	9702968014		840-2	Inlet Pipe-B1	9363566000	
184-1	Thermo. Spring-A	313728262708		982-1	Cord Clamp	9356857009	
185	Rubber Bushing	313005066051		982-2	Cord Clamp-B	9356858006	
185-2	Rubber Washer (For Comp.)	9358078006		990-1	Connecting Pipe-A1	9363560008	
187	Clamp No. 1219	313361271706		990-2	Connecting Pipe-A2	9363550009	
210	Main Relay	9356781007		991-1	Connecting Pipe-B1	9363567007	
233	Power Transformer	9701156016		991-2	Connecting Pipe-B2	9363551006	

[INDOOR P.C.B.]  
CONTROLLER PCB ASSEMBLY (Ref. No.236) (ASY12RMACW,ASY7RMACW)

When you order parts, please make a photocopy of this page and fill the number of the parts in the "Order" column.

Ref. No.	Description	Part No.	Order Q'ty	Ref. No.	Description	Part No.	Order Q'ty
IC1	IC $\mu$ PD78012HCW-031	1300863029		JC1~15	Res. 0 $\Omega$	0200230016	
IC2	IC PST600CMTR	0101461120		C1,2,12,14	Cap. Ceramic 25V 0.1 $\mu$ F	0300266748	
IC3	IC BA10358FE2	0101846071		15,17,21~			
IC4,5	IC MC1413D	0101736013		24,30,31			
IC6	IC BR93LC46RF-E2	0100295016		C13,16	Cap. Elec. 25V 10 $\mu$ F	0300328026	
Q1~3	Xstr DTC124EK	0000517034		C19	Cap. Ceramic 50V 1000pF	0300308509	
R1,7~9,15~	Res. 10k $\Omega$ $\pm$ 5%	0200213019		C25	Cap. Elec. 25V 100 $\mu$ F	0300328064	
19,27,28,35				C27~29	Cap. Ceramic 50V 0.01 $\mu$ F	0300323113	
37,38,40				SW1	Key Switch EVQ-PFE-04R	9700891017	
R2	Res. 22.1k $\Omega$ $\pm$ 1%	0200279664		X1	Ceramic Resonator CST8.38MTW-TF01	0400061021	
R3	Res. 33.2k $\Omega$ $\pm$ 1%	0200279749		BZ1	Buzzer PKM13EPY-4000-TF01	9701298013	
R4~6,10~14	Res. 1k $\Omega$ $\pm$ 1%	0200212746		CN1	Plug. PCB B3P-SHF-1AA	0500006021	
20,22,25,26				CN2	Thermistor 150-103-86116	9702324018	
36				CN3	Plug. PCB B2B-XH-AM L=10mm	0500005321	
R21	Res. 7.87k $\Omega$ $\pm$ 1%	0200279442		CN4	Plug. PCB 53324-0710	0501052065	
R23	Res. 15.4k $\Omega$ $\pm$ 1%	0200279565		CN5	Plug. PCB 53325-1010	0501052591	
R24,30~32	Res. 1.2k $\Omega$ $\pm$ 5%	0200708768		CN7	Plug. PCB S3P-VH	0500011308	
R29	Res. 47 $\Omega$ $\pm$ 5%	0200212425		CN9	Plug. PCB 917072-7	0501065010	
R33,34,39	Res. 390 $\Omega$ $\pm$ 5%	0200212647		JM2~9	Wire 0.6 dia. L=10mm	9700025016	

[INDOOR P.C.B.]  
POWER SUPPLY PCB ASSEMBLY (Ref. No.875) (ASY12RMACW,ASY7RMACW)

Ref. No.	Description	Part No.	Order Q'ty	Ref. No.	Description	Part No.	Order Q'ty
IC101	IC HI2002	9701384020		SW101	Slide Switch 8SS1012-1	9701426010	
IC102	IC $\mu$ PC7805AHF	0100008036		VA101,102	Varistor ERZ-V10V471CS	0000515139	
Q101	Xstr 2SD880	0000001014		VA103	Arrester CP2470-F	9701835010	
D101~105	Diode D1F60	0000208024		F101	Fuse BET 3.15A-250V	0600222512	
D106	Diode MTZJ15C	0000852203		FH101,102	Fuse Holder PFC5000-0502	0500158072	
R101	Res. Carbon 1k $\Omega$ $\pm$ 5%	0201093658		L101	EMI Filter ELF15N008A	0400165071	
R102	Res. 1k $\Omega$ $\pm$ 5%	0200708744		SSR101	Relay G3MB-201PL-VD	9702430016	
R103	Res. 10k $\Omega$ $\pm$ 5%	0200709017		HT101	Heat Sink 16 *25	9701675012	
C101,102	Cap. Ceramic 4700pF	0300209110		CN101	Plug. PCB B3P5-VH-B	0500011735	
C103,104	Cap. Plastic 0.1 $\mu$ F	0300304075		CN102	Plug. PCB B2P3-VH-B-R	0500011766	
C105	Cap. Plastic 200V 7 $\mu$ F	0300931097		CN103	Plug. PCB 53405-0210	0500940011	
C106,107	Cap. Ceramic 25V 0.1 $\mu$ F	0300266748		CN104	Plug. PCB B2B-XARK-1-A	0501045210	
C108	Cap. Elec. 35V 3300 $\mu$ F	0301129073		CN105	Wire w/Connector L=100mm	9701424016	
C109~111	Cap. Elec. 50V 10 $\mu$ F	0300329092		W101	Wire w/Terminal L=210mm WHT	9701198016	
C112	Cap. Elec. 25V 2200 $\mu$ F	0300327111		W102	Wire w/Terminal L=200mm RED	9701425020	
C113	Cap. Ceramic 0.01 $\mu$ F	0300209127		W103	Wire w/Terminal L=210mm	9701660018	
				W104	Wire w/Terminal L=190mm BLK	9701169191	

[INDOOR P.C.B.]  
INDICATOR PCB ASSEMBLY (Ref. No.385)  
(ASY12RMACW, ASY7RMACW)

Ref. No.	Description	Part No.	Order Q'ty
D201	Diode SLR325VC RED	0000813259	
D202	Diode SLR325MC GRN	0000813242	
D203	Diode SLR325DC ORG	0000813235	
C201	Cap. Cermic 0.1 $\mu$ F	0300988251	
C202	Cap. Elec. 25V 10 $\mu$ F	0300504413	
X201	Remote Control Amplifier SBX1810-22	0101525129	
CN201	Wire w/Connector L=230mm Lamp Cover	9701397013 9305451012	

[INDOOR P.C.B.]  
CONTROLLER PCB ASSEMBLY (Ref. No.236) (AUY12RMA)

When you order parts, please make a photocopy of this page and fill the number of the parts in the "Order" column.

Ref. No.	Description	Part No.	Order Q'ty	Ref. No.	Description	Part No.	Order Q'ty
IC1	IC $\mu$ PD78014HCW-023	9700511014		R8,10,14~17,	Res. 1/4W 10k $\Omega$ $\pm$ 5%	0200213019	
IC3	IC NJM7805FA	0100462081		21~24,29~			
IC4~6	Xstr $\mu$ PA1003GR	0100028041		32,37,39,48,			
IC7	IC NM93C46M8-X	0101622026		50,52,53,55,			
IC8	IC PST600CMTR	0101461120		59,68			
IC10	IC Hi2002	9701384020		R9,47	Res. 1/10W 390 $\Omega$ $\pm$ 5%	0200212647	
Q1	Xstr 2SC4236	0000164047		R18~20,	Res. 1/10W 1k $\Omega$ $\pm$ 5%	0200212746	
Q2	Xstr 2SC1740S	0000699235		25~28,33			
Q3,4	Xstr DTC124EKA	0000936033		~36,38,42,			
D1	Diode D3SB60	0000689045		44,46,49,51			
D2,4,7	Diode D1FL20U	0000746519		57,58,67			
D3	Diode MTZJ5.1B	0000852166		R40,41	Res. 1/10W 4.7k $\Omega$ $\pm$ 5%	0200212906	
D5	Diode 1SR139-600	0000353120		R43	Res. 1/10W 10k $\Omega$ $\pm$ 1%	0200279497	
D6	Diode D2FL20U	0000906500		R45	Res. 1/10W 49.9k $\Omega$ $\pm$ 1%	0200279824	
D12	Diode DAN202K	0000684019		R54	Res. 1/10W 4.7k $\Omega$ $\pm$ 5%	0200212425	
R1	Res.Cement 5W 3.3 $\Omega$ $\pm$ 5%	0200244372		CJ2,R56,JM7	Res. 0 $\Omega$	0200212012	
R2	Res.Metal 2W 1.5 $\Omega$ $\pm$ 5%	0201107119		JM9	Res. 0 $\Omega$	0200230016	
R3	Res. 1/10W 100 $\Omega$ $\pm$ 5%	0200212500		C5	Cap. Elec. 450V 100 $\mu$ F	0300256060	
R4	Res.Carbon 1W 220k $\Omega$ $\pm$ 5%	0200111353		C6	Cap. Plastic 4700 pF	0300269091	
R5	Res.Metal 2W 47k $\Omega$ $\pm$ 5%	0201107652		C7	Cap. Plastic 50V 0.047 $\mu$ F	0300169339	
R6	Res. 1/2W 100 $\Omega$ $\pm$ 5%	0200731506		C8	Cap. Elec. 25V 100 $\mu$ F	0301197560	
R7	Res. 1/4W 330 $\Omega$ $\pm$ 5%	0200708621		C9	Cap. Elec. 25V 1000 $\mu$ F	0301196495	
C14	Cap. Elec. 25V 100 $\mu$ F	0301192350		C10,33,36,41	Cap. Elec. 25V 10 $\mu$ F	0301192312	
C16,17,19~	Cap. Ceramic 50V 0.01 $\mu$ F	0300311738		C12	Cap. Elec. 25V 1000 $\mu$ F	0301158264	
31,CJ1,38,				C13,15,34,37	Cap. Ceramic 50V 0.1 $\mu$ F	0300311752	
40,42,46,49				39,44,45			
C32,35,43,50	Cap. Ceramic 50V 100pF	0300308509		CR1	Network RPEL-121204-C	9701125012	
~53				CN1	Plug. PCB B3P5-VH-B-C	0500011810	
C54	Cap. Ceramic 0.01 $\mu$ F	0300209127		CN4	Plug. PCB B2P3-VH-B-Y	0500011827	
K1,3,4	Relay JQ1-12V	9701316014		CN5	Plug. PCB 5430C063	0500957026	
SSR1	Relay G3M-202P-UTU	9701829019		CN6	Plug. PCB B2P3-VH-B-E	0500011759	
SW1	Switch,Slide DSS803	9701392018		CN7	Plug. PCB B2B-XASK-1-A	0501045227	
T1	Switching Transformer	9702727017		CN8	Plug. PCB B2B-XASK-1-A	0501045012	
	ETS28AS118AH			CN9	Plug. PCB B2P-SHF-1AA	0500006069	
X1	Ceramic Resonator	9701261017		CN10	Plug. PCB B5B-XAKK-1-A	0501045043	
	EF0EC8384T4			CN13	Plug. PCB B8B-XASK-1-A	0501045074	
BZ1	Buzzer PKM13EPY-4000-TF01	9701298013		CN14	Plug. PCB B4B-XH-AM	0500005314	
VA3	Varistor TNR12G471K	0000038010		CN15	Plug. PCB B3B-XARK-1-A	0501045319	

[INDOOR P.C.B.]  
INDICATOR PCB ASSEMBLY (Ref. No.385) (AUY12RMA)

[INDOOR P.C.B.]  
FILTER PCB ASSEMBLY (Ref. No.875) (AUY12RMA)

Ref. No.	Description	Part No.	Order Q'ty
D201	Diode SLR325VC RED	0000813259	
D202	Diode SLR325MC GRN	0000813242	
D203	Diode SLR325DC ORG	0000813235	
C201	Cap. Ceramic 0.1 $\mu$ F	0300988251	
C202	Cap. Elec. 25V 10 $\mu$ F	0300004258	
R201~203	Res. Carbon 1/4W 330 $\Omega$ $\pm$ 5%	0201038659	
PHA201	Remote Control Amplifier	0101525129	
	SBX1810-22		
SW201	Switch. EVQ-PAG-04K	9700450016	
CN201	Wire w/Connector L=150 mm	9702266011	

Ref. No.	Description	Part No.	Order Q'ty
C101,102	Cap. Plastic 0.22 $\mu$ F	0300304099	
C105,106	Cap. Plastic 0.022 $\mu$ F	0301052098	
SA101	Arrester DSA-362MA-05	0600168032	
TM101,102	Plug Contact 86028	0500536016	
LF101	EMI Filter ELF17N015A	0400197119	
F101	Fuse BET 3. 15A-250V	0600222512	
FH1,2	Fuse Holder PFC5000-0502	0500158072	
E101	Wire w/Terminal GRN L=100 mm	9702313012	
W103,104	Wire #18 3P	9702310011	
VA101,102	Varistor TNR12G471K	0000038010	

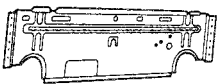

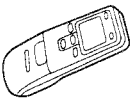
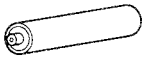
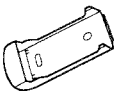



When you order parts, please make a photocopy of this page  
and fill the number of the parts in the "Order" column.

[OUTDOOR P.C.B.]  
CONTROLLER PCB ASSEMBLY (Ref. No.236) (AOY20RMAM2, AOY24RMAM2)

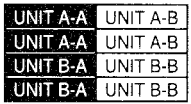
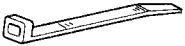


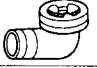

Ref. No.	Description	Part No.	Order Q'ty	Ref. No.	Description	Part No.	Order Q'ty
IC1	IC $\mu$ PD780023CW-015	9702969011		C6	Cap. Elec. 63V 2200 $\mu$ F	0301191117	
IC2	IC $\mu$ PC7805AHF	0100008036		C7~9	Cap. Elec. 50V 10 $\mu$ F	0301192541	
IC3,4	Transistor Array $\mu$ PA2003GR	0100028041		C10,47	Cap. Elec. 50V 100 $\mu$ F	0301192589	
IC6	IC PST600CMTR	0101461120		C11	Cap. Elec. 25V 1000 $\mu$ F	0301190615	
IC7,8	IC HU2001	9701651016		C12,13,17~ 21,36,43~ 46	Cap. Ceramic 50V 0.1 $\mu$ F	0300311752	
IC10	IC NM93C46M8-X	0101622026		C14,38~41	Cap. Ceramic 50V 0.01 $\mu$ F	0300311738	
Q1,2	Xstr 2SD1932	9701235018		C15,16,23~ 26,CJ27	Cap. Ceramic 50V 1000pF	0300308509	
Q3	Xstr DTC-124EK	0000517034		C29~33	Cap. Elec. 25V 10 $\mu$ F	0300822340	
Q4~8	Xstr 2SC2712	0000781053		X1	Ceramic Resonator EF0EC8384T4	9701261017	
D1,2	Diode D2SB20	0000599023		K1,2,5~7	Relay JQ1-12V	9701316014	
D3	Diode MTZJ15A	0000852081		CR1~3,5	CR Absorber RPEL-121204	9701125012	
D4	Diode MTZJ27A	0000852098		VA1	Varistor TNR12G471K	0000038010	
D5,12	Diode D1F60	0000208024		F1	Fuse BET 3.15A-250V	0600222512	
D6,7	Diode DA226U	0000625036		FH1,2	Fuse Holder PFC5000-0502	0500158072	
D8~10,15~ 17	Diode SLR-325VC	0000813259		HT1	Heat Sink PUG-46	9702966010	
D11,13	Diode DAN202K	0000684019		HT2	Heat Sink B.PUE-16	9701376018	
R1,9,10,37~ 40,43,44, 46~50, 56~58	Res. 10k $\Omega$ $\pm$ 5%	0200213019		CN1	Plug. PCB B2P3-VH-B-C	0500011773	
R2~6	Res. 4.7k $\Omega$ $\pm$ 5%	0200212906		CN2	Plug. PCB B2P3-VH-B-Y	0500011827	
R7,8,11~15 30~33, 51~55	Res. 1k $\Omega$ $\pm$ 5%	0200212746		CN3	Plug. PCB B4P7-VH-B	0500011742	
R17	Res. 38.3k $\Omega$ $\pm$ 1%	0201114575		CN4	Plug. PCB 179844-1	0501121013	
R18,19	Res. 14 $\Omega$ $\pm$ 1%	0201114193		CN5	Plug. PCB 179844-2	0501121020	
R20,21	Res. 6.65k $\Omega$ $\pm$ 1%	0201113806		CN6,17	Plug. PCB 179844-4	0501121037	
R23~25, 34~36	Res. 390 $\Omega$ $\pm$ 5%	0200212647		CN7	Plug. PCB B2P3-VH-B	0500011728	
R41,42	Res. 15k $\Omega$ $\pm$ 5%	0200231051		CN8	Plug. PCB B4B-XH-AM	0500005314	
R45	Res. 10k $\Omega$ $\pm$ 5%	0200231013		CN9	Plug. PCB B10B-XASK-1-A	0501045098	
R59~66	Res. 10 $\Omega$ $\pm$ 5%	0200230269		CN10	Plug. PCB B3B-XASK-1-A	0501045029	
CJ28,35,37	Res. 0 $\Omega$	0200212012		CN11	Plug. PCB B6B-XASK-1-A	0501045050	
C1	Cap. Plastic 0.22 $\mu$ F	0300304099		CN12	Plug. PCB B6B-XARK-1-A	0501045418	
C3,4	Cap. Ceramic 0.1 $\mu$ F	0300209127		CN14	Plug. PCB B5P-SHF-1AA	0500006069	
C5	Cap. Elec. 50V 3300 $\mu$ F	0301190998		CN18	Plug. PCB B3B-XARK-1-A	0501045319	
				E	Wire w/Terminal L=100mm GRN	9702313012	
				W1	Wire w/Terminal L=330mm RED	9702929015	
				W2	Wire w/Terminal L=380mm PNK	9702930011	

## STANDARD ACCESSORIES

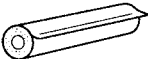


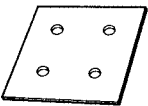
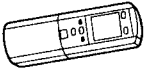
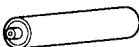
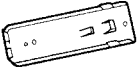

### INDOOR UNIT ACCESSORIES (Wall Mounted type)

Name and Shape	Q'ty	Part No.
Wall hook bracket 	1	9304358008
Wall cap-B 	1	313714296205
Remote control unit 	1	12R, 7R model 9307113055 (AR-DB5)
Battery (penlight) 	1set	0600185534
Remote control unit holder 	1	9305642014
Cloth tape 	1	9308117007
Tapping screw (big) ( $\phi$ 4×20) 	8	301141164200
Tapping screw (small) ( $\phi$ 3×12) 	2	0700019036




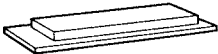
### OUTDOOR UNIT ACCESSORIES

Name and Shape	Q'ty	Part No.
Cable mark 	1	9352786006
Binder 	2	312300787605
Putty 	1	303020200114
Hexagon wrench 	1	9351228019
Drain pipe 	1	9303029015
Drain cap 	2	313166024302

**INDOOR UNIT ACCESSORIES (CASSETTE type)**

Name and Shape	Q' ty	Part No.
Coupler heat insulation 	2	9350716029
		9352766015
Special nut A (large flange) 	4	313005446653
Special nut B (small flange) 	4	313005446759
Template 	1	9360256003
Remote control unit 	1	9359913030 (AR-DL3)
Battery (penlight) 	2set	0600185534
Remote control unit holder 	1	9359955016
Tapping screw ( $\phi$ 3×12) 	3	301141533125

**GRILLE ACCESSORIES**

Name and Shape	Q' ty	Part No.
Boit 	4	9360120021
Washer 	4	301801155020
Spring washer 	4	301821150218
Blower cover insulation 	2	9360047007



**Большая библиотека технической документации**

<https://splitsystema48.ru/instrukcii-po-ekspluatacii-kondicionerov.html>

**каталоги, инструкции, сервисные мануалы, схемы.**